



Z886-PVSS-99

1/4 [6] WIDE REVEAL TRENCH DRAIN SYSTEM WITH
5-3/8 [137] TALL HEEL-PROOF OFFSET PAVER SLOT
GRATE

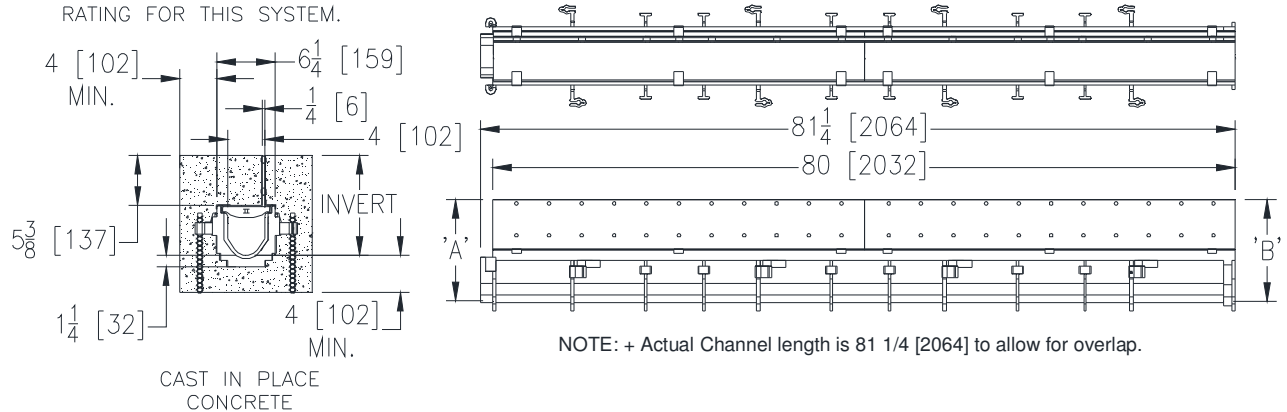
SPECIFICATION SHEET

TAG _____

Dimensional Data (inches and [mm]) are Subject to Manufacturing Tolerances and Change Without Notice

SPECIFYING ENGINEER IS RESPONSIBLE FOR CONCRETE ENCASEMENT AND REINFORCING BASED UPON APPLICATION AND LOCAL CODES.

A 4" MINIMUM CONCRETE ENCASEMENT IS REQUIRED TO ACHIEVE THE SPECIFIED LOAD RATING FOR THIS SYSTEM.



NOTE: + Actual Channel length is 81 1/4 [2064] to allow for overlap.

ENGINEERING SPECIFICATION: Zurn Z886-PVSS-99

Channels shall be 80" [2032mm] long, 1/4" [6mm] wide slot and have a 4" [102mm] throat. Modular channel sections shall be made of 0% water absorbent High Density Polyethylene (HDPE). Shall have a positive mechanical connection between channel sections that will not separate during the installation and shall mechanically lock into the concrete surround a minimum of every 10" [254mm]. Channels shall weigh less than 2.31 lbs. [1.05kg] per linear foot, have a smooth, 1-1/2" [38mm] radiused self cleaning bottom with a Manning's coefficient of 0.009 and 0.75% or neutral 0% built in slope. Channels shall have rebar clips standard to secure trench in its final location. Shall be provided with standard PVSS-99 non-removable grates. Zurn 1/4" [6mm] wide reveal and 5-3/8" [76mm] tall fabricated Type 304 Stainless Steel Heel-Proof Paver Slot grate with Type 304 Stainless Steel reinforcing conforming to ASTM specification A351, Grade CF8M, is rated Class A per the DIN EN 1433 top load classifications. Supplied in 40" [1016mm] nominal lengths with 3/4" [19mm] bearing depth. Grate has an open area of 3.0 sq. in per ft. [6,350 sq. mm per meter].

PREFIX OPTIONS (Check/specify appropriate options)

Z Six-foot, Eight-inch High Density Polyethylene (HDPE)*

SUFFIX OPTIONS (Check/specify appropriate options)

Outlet Adapters Add/Each

- E1 Closed End Cap
- E2 2 [51] No-Hub End Outlet
- E3 3 [76] No-Hub End Outlet
- E4 4 [102] No-Hub End Outlet
- E6 6 [152] No-Hub End Outlet
- U2 2 [51] No-Hub Bottom Outlet
- U3 3 [76] No-Hub Bottom Outlet
- U4 4 [102] No-Hub Bottom Outlet
- U6 6 [152] No-Hub Bottom Outlet

Frame Options

- SW Sidewall Extensions - 9 [229] High
- SW2 Sidewall Extensions - 18 [457] High

Miscellaneous Options

- JC Joint Connector

* Regularly furnished unless otherwise specified.

Trench No.	'A' Shallow Inv.	'B' Deep Inv.	Flow		
			(cfs)	(gpm)	(lps)
8601	8.875 [225]	9.475 [241]	0.21	93	6
8602	9.475 [241]	10.075 [256]	0.27	122	8
8603	10.075 [256]	10.675 [271]	0.34	152	10
8603N	10.675 [271]	10.675 [271]	-	-	-
8604	10.675 [271]	11.275 [286]	0.41	183	12
8605	11.275 [286]	11.875 [302]	0.48	214	13
8606	11.875 [302]	12.475 [317]	0.55	245	15
8606N	12.475 [317]	12.475 [317]	-	-	-
8607	12.475 [317]	13.075 [332]	0.62	276	17
8608	13.075 [332]	13.675 [347]	0.69	308	19
8609	13.675 [347]	14.275 [363]	0.76	339	21
8610	14.275 [363]	14.875 [378]	0.83	371	23
8611	14.875 [363]	15.475 [393]	0.90	403	25
8612	15.475 [393]	16.075 [408]	0.97	435	27
8612N	16.075 [408]	16.075 [408]	-	-	-
8613	16.075 [408]	16.675 [424]	1.04	467	29
8614	16.675 [424]	17.275 [439]	1.11	498	31
8615	17.275 [439]	17.875 [454]	1.18	530	33