



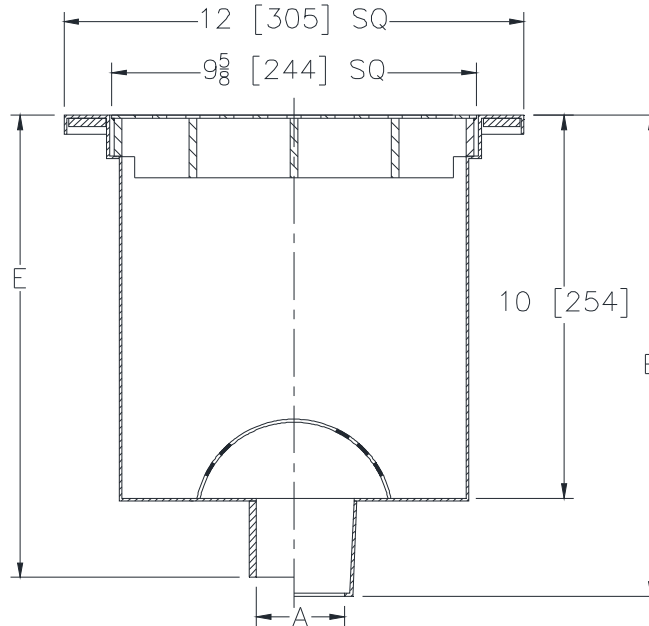
Z1752-151

12 X 12 [305 X 305] 14 GAGE SANI-FLOR RECEPTOR
10 [254] SUMP DEPTH W/ EXTRA HEAVY-DUTY GRATE

SPECIFICATION SHEET

TAG _____

Dimensional Data (inches and [mm]) are Subject to Manufacturing Tolerances and Change Without Notice



A Pipe Size In [mm]	Approx. Wt. Lbs. [kg]	Grate Open Area Sq. In. [cm ²]
2,3,4 [51,76,102]	18 [9]	23 [148]
6 [152]	20 [9]	

ENGINEERING SPECIFICATION: ZURN Z1752-151

12" x 12" x 10" [305mm x 305mm x 254mm] deep, 14 gage, All Type 304 (CF8) Stainless Steel Sani-Flor receptor with non-tilt, loose set extra heavy-duty grate with 1/2" [13mm] square openings and anti-splash interior dome strainer.

OPTIONS (Check/specify appropriate options)

PIPE SIZE

- 2,3,4 [51,76,102]
- 2 [51]
- 3 [76]
- 4 [102]
- 2,3,4,6 [51,76,102,152]
- 2,3,4 [51,76,102]

(Specify size/type) **OUTLET**

- _____ IC Inside Caulk
- _____ IP Threaded
- _____ IP Threaded
- _____ IP Threaded
- _____ NH No-Hub
- _____ NL Neo-Loc

'E' BODY HT. DIM.

- 12-9/16 [319]
- 11-5/16 [287]
- 11-9/16 [294]
- 12-1/16 [306]
- 12-1/16 [306]
- 11-13/16 [300]

PREFIXES

- _____ Z Type 304 (CF8) Stainless Steel Body*
- _____ ZM Type 316 (CF8M) Stainless Steel

SUFFIXES

- _____ -DX Dex-o-tex Flange
- _____ -K Anchor Flange w/ Seepage Holes
- _____ -KC Anchor Flange w/ Seepage Holes and Clamp Collar
- _____ -LSH (Less) Seepage Holes
- _____ -P 1/2 [13] Trap Primer Connection
- _____ -TC Neo-Loc Test Cap Gasket (2-4 [51-102] NL Bottom Outlet Only)
- _____ -VP Vandal-Proof Secured Top
- _____ -Y Sediment Bucket
- _____ -YS Suspended Sediment Bucket

* Regularly furnished unless otherwise specified.