



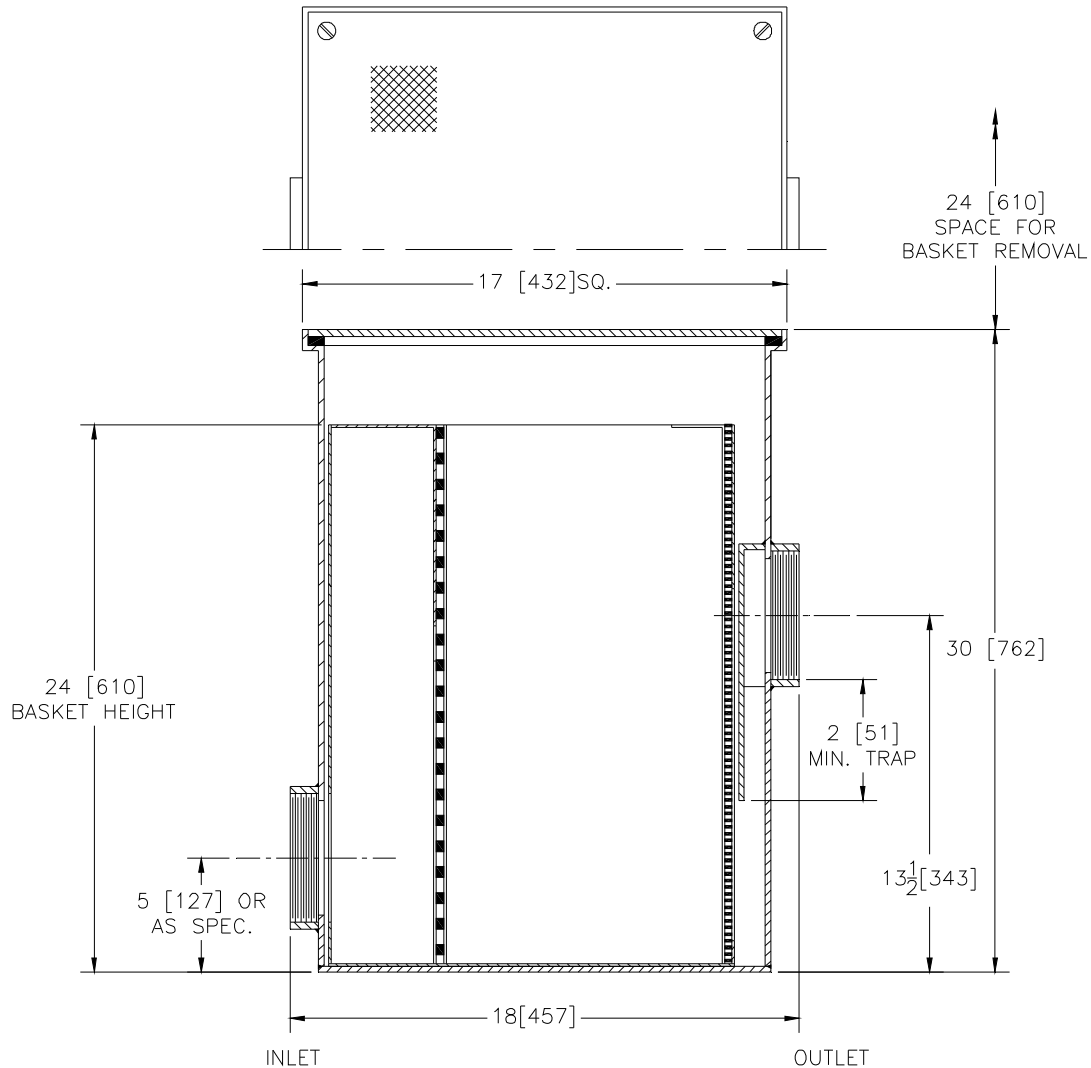
# Z1181-94

## SOLIDS INTERCEPTOR W/ 24 [610] TALL SEDIMENT BASKET AND 2 [51] TRAP

SPECIFICATION SHEET

TAG \_\_\_\_\_

Dimensional Data (inches and [ mm ]) are Subject to Manufacturing Tolerances and Change Without Notice



Inlet/Outlet Inches	Flow Rate GPM [L]	Approx. Wt. Lbs. [kg]
4 [102]	100 [378]	T.B.D.

**ENGINEERING SPECIFICATION:** ZURN Z1181-94 Large capacity Acid Resistant Coated fabricated steel solids interceptor, in lieu of fixture 'P' trap, for on-floor or flush with floor installation, with removable primary and secondary flow diffusing/intercepting screens, and 24 [610] tall sediment basket, with gasketed non-skid cover. Regularly furnished with 4 [102] low inlet and high outlet.

**OPTIONS** (Check/specify appropriate options)

**PREFIXES**

- \_\_\_ Z- Acid Resistant Coated Fabricated Steel\*
- \_\_\_ ZS- All Fabricated Type 304 Stainless Steel

**SUFFIXES**

- \_\_\_ -KC Clamping Collar
- \_\_\_ -SS Custom Stainless Mesh Screen for Basket (Specify opening size)
- \_\_\_ -YR Replacement Basket Assembly

REV.	DATE: 01/02/12	C.N. NO. 122594
DWG. NO. 308546		PRODUCT NO. Z1181-94

\*REGULARLY FURNISHED UNLESS OTHERWISE SPECIFIED