



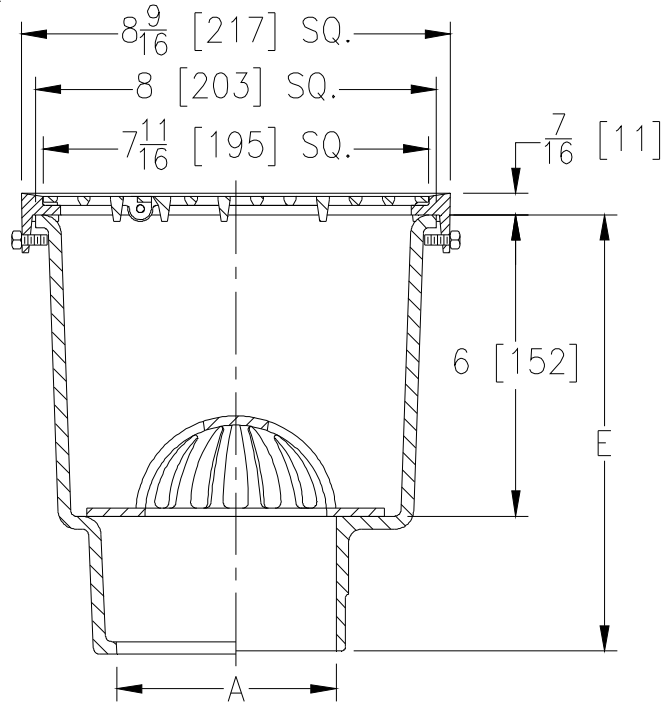
ZN1910-19

8-9/16 X 8-9/16 [217 X 217] A.R.E. SANI-FLOR RECEPTOR
6 [152] SUMP DEPTH W/ NICKEL BRONZE FRAME
AND FULL HINGED GRATE

SPECIFICATION SHEET

TAG _____

Dimensional Data (inches and [mm]) are Subject to Manufacturing Tolerances and Change Without Notice



A Pipe Size In.	Approx Wt. Lbs. [kg]	Grate Open Area Sq. In. [cm ²]
2-3-4 [51-76-102]	32 [14]	28 [116]

ENGINEERING SPECIFICATION: ZURN ZN1910-19

Sani-Flor Receptor 8 x 8 x 6 [203 x 203 x 152] deep cast iron body, with white acid resisting porcelain enamel interior and top, 8-9/16 x 8-9/16 [217 x 217] nickel bronze frame and full hinged grate with 13/32 [10] openings, complete with white ABS anti-splash interior bottom dome strainer.

OPTIONS (Check/specify appropriate options)

PIPE SIZE

- 2-3-4 [51-76-102]
- 2-3-4 [51-76-102]
- 2-3-4 [51-76-102]

(Specify size/type) **OUTLET**

- _____ IC Inside Caulk
- _____ NH No-Hub
- _____ NL Neo-Loc

'E' BODY HT. DIM.

- 9-1/4 [235]
- 9-1/8 [232]
- 8-1/2 [216]

PREFIXES

- ___ ZN Cast Iron Body with White A.R.E. Interior, 8-9/16 [217] Square N.B. Frame and Full Hinged Grate with 13/32 [10] Square Openings*

SUFFIXES

- ___ -DX Dex-O-Tex Flange
- ___ -K Anchor Flange
- ___ -KC Anchor Flange with Seepage Holes and Clamp Collar
- ___ -LD Less Bottom Dome Strainer
- ___ -P 1/2 [13] Trap Primer Connection (See Z1023)
- ___ -TC Neo-Loc Test Cap Gasket (2 - 4 [51 - 102] NL Bottom Outlet Only)
- ___ -11 Vandal-Proof Secured Grate
- ___ -23 Aluminum Bucket
- ___ -25 White A.R.C. Bucket
- ___ -31 Stainless Steel Mesh Liner for Bucket
- ___ -32 Aluminum Dome Strainer
- ___ -33 White A.R.C. Anti-Splash Bottom Dome Strainer

REV. B	DATE: 1/30/12	C.N. NO. 122799
DWG. NO. 60002	PRODUCT NO. ZN1910-19	

*REGULARLY FURNISHED UNLESS OTHERWISE SPECIFIED