

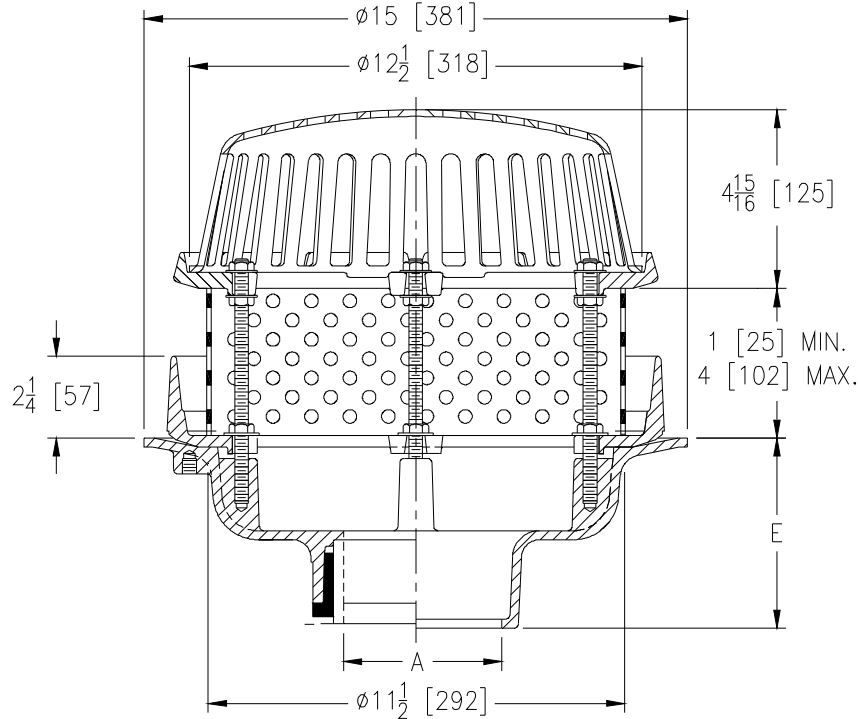


Z100-236

15 [381] DIAMETER MAIN ROOF DRAIN W/ STAINLESS STEEL PERFORATED EXTENSION & EXTERNAL WATER DAM

TAG _____

Dimensional Data (inches and [mm]) are Subject to Manufacturing Tolerances and Change Without Notice



A Pipe Size In.	Approx. Wt. Lbs. [kg]	Dome Open Area Sq. In. [cm ²]
2-3-4 [51-76-102]	28 [13]	103 [665]
5-6 [127-153]	29 [13]	
8 [203]	30 [14]	

ENGINEERING SPECIFICATION: ZURN Z100-236

15 [381] Diameter roof drain. Dura-Coated cast iron body with combination membrane flashing clamp/gravel guard, perforated extension, low silhouette Poly-Dome strainer and 2 1/4 [57] high external water dam.

OPTIONS (Check/specify appropriate options)

PIPE SIZE

2 thru 6, 8 [51 thru 153, 203]
 2 thru 6, 8 [51 thru 153, 203]
 2 thru 6, 8 [51 thru 153, 203]
 2,3,4 [52, 76, 102]

(Specify size/type) OUTLET

_____ IC Inside Caulk
 _____ IP Threaded
 _____ NH No-Hub
 _____ NL Neo-Loc

E BODY HT. DIM.

5 1/4 [133]
 3 3/4 [95]
 5 1/4 [133]
 4 5/8 [117]

PREFIXES

_____ Z D.C.C.I. Body with Poly-Dome*
 _____ ZA D.C.C.I. Body with 6 3/4 [171] High Aluminum Dome
 _____ ZC D.C.C.I. Body with Cast Iron Dome
 _____ ZRB D.C.C.I. Body with Plain Bronze Dome

SUFFIXES

_____ -AC Angular Underdeck Clamp	_____ -GD Galvanized Cast Iron Dome (ZC Only)
_____ -AR Acid Resistant Epoxy Coated	_____ -HD 6 3/4 [171] High Aluminum Dome Strainer (148 Sq. In. [955 cm ²] Open Area) (ZA Only)
_____ -BS Bronze Mesh Screen Over Dome	_____ -R Roof Sump Receiver
_____ -C Underdeck Clamp	_____ -SS Stainless Steel Mesh Screen Over Dome
_____ -DE Deck Extension	_____ -ST Dome with Solid Top (ZA, ZC & ZRB Only)
_____ -DP Top-Set® Deck Plate (Replaces both the -C and -R)	_____ -TC Neo-Loc Test Cap Gasket (2 - 4 [51 - 102] NL Bottom Outlet Only)
_____ -DR Top-Set® Drain Riser	_____ -VP Vandal-Proof Secured Top
_____ -E Static Extension 1 [25] thru 4 [102] (Specify Ht.)	_____ -90 90° Threaded Side Outlet Body (2 thru 6 [51 or 152])
_____ -EA Adjustable Extension Assembly 2 1/8 [54] thru 3 1/2 [89]	
_____ -EB Top-Set® Adjustable Extension Assembly	
_____ -FG Flush Grate (Replaces Dome Strainer)	
_____ -G Galvanized Cast Iron	

*REGULARLY FURNISHED UNLESS OTHERWISE SPECIFIED

REV.	DATE: 04/29/11	C.N. NO. 121195
DWG. NO. 305654 PRODUCT NO. Z100-236		