

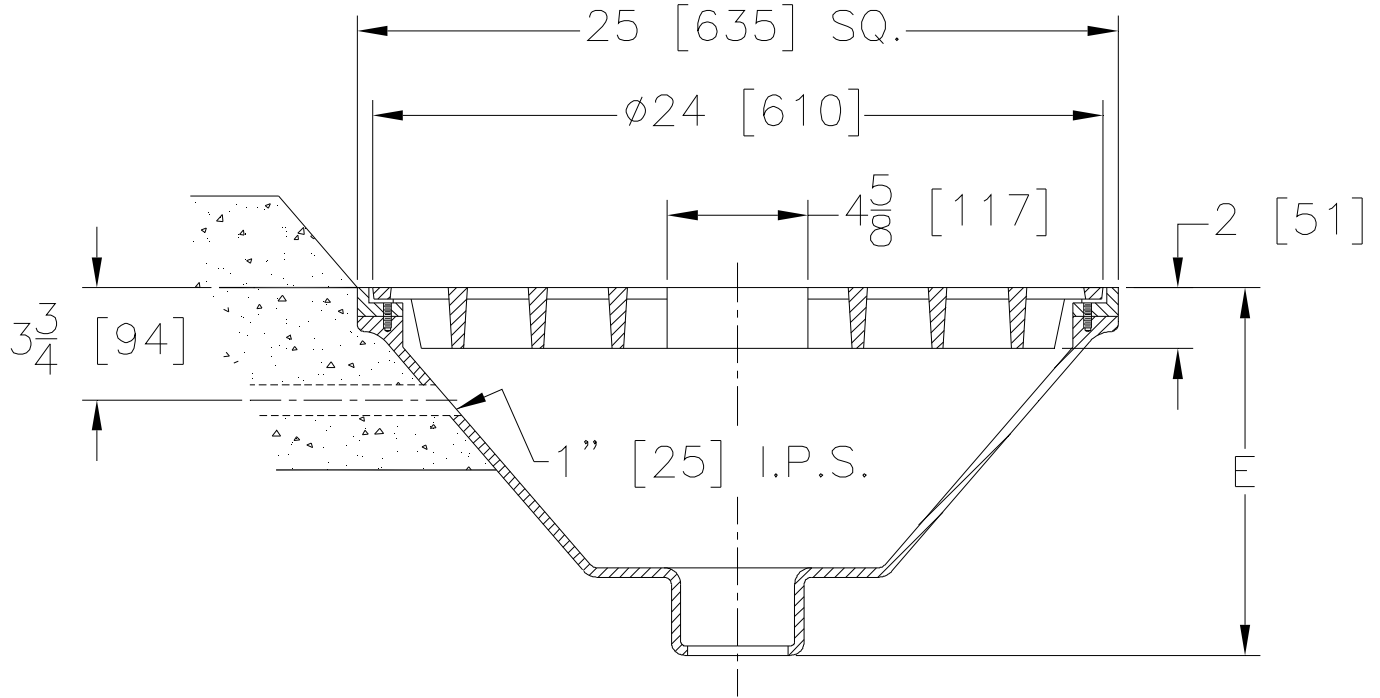


# Z319-76 THOROFLUSH DRAIN LARGE CAPACITY

SPECIFICATION SHEET

TAG \_\_\_\_\_

Dimensional Data (inches and [ mm ]) are Subject to Manufacturing Tolerances and Change Without Notice



A-Pipe Size Inches	Approx. Wt. Lbs.	Grate Open Area Sq. In.
3-4-5-6-8 [76,102,127,152,203]	118 [53]	232 [1497]

**ENGINEERING SPECIFICATION:** ZURN Z319-76  
25" [635] Large Capacity Thoroflush Drain, cast iron body with white acid resistant coating, bottom outlet, and A.R.E. coated heavy duty steel grate.

**OPTIONS** (Check/specify appropriate options)

**OUTLET** (Specify type)

- \_\_\_\_\_ **IC** Inside Caulk
- \_\_\_\_\_ **IG** Inside Caulk w/Sealtrol Gskt.
- \_\_\_\_\_ **IP** Threaded

**PIPE SIZE** (Specify size)

- \_\_\_\_\_ 3",4",5",6",8" [76,102,127,152,203]
- \_\_\_\_\_ 3",4",6" [76,102,152]
- \_\_\_\_\_ 3",4",5",6",8" [76,102,127,152,203]

**'E' BODY HT.  
DIMENSION**

- \_\_\_\_\_ 12-1/8" [308]
- \_\_\_\_\_ 12-1/8" [308]
- \_\_\_\_\_ 11" [279]

**PREFIXES**

- \_\_\_\_\_ **ZB-** Cast Iron Body w/Acid Resistant Coating and Polished Bronze Top
- \_\_\_\_\_ **ZN-** Cast Iron Body w/Acid Resistant Coating and Polished Nickel Bronze Top\*

**SUFFIXES**

- \_\_\_\_\_ **-DC** Dura-Coated Interior
- \_\_\_\_\_ **-G** Galvanized Cast Iron
- \_\_\_\_\_ **-P** Trap Primer Connection
- \_\_\_\_\_ **-V** Backwater Valve (See Z1099)
- \_\_\_\_\_ **-VP** Vandal Proof Secured Top
- \_\_\_\_\_ **-WB** Water Control Box (See Z1464)

\*REGULARLY FURNISHED UNLESS OTHERWISE SPECIFIED

<b>REV. A</b>	<b>DATE: 11/14/07</b>	<b>C.N. NO. 97702</b>
<b>DWG. NO. P-13743 PRODUCT NO. Z319-76</b>		