



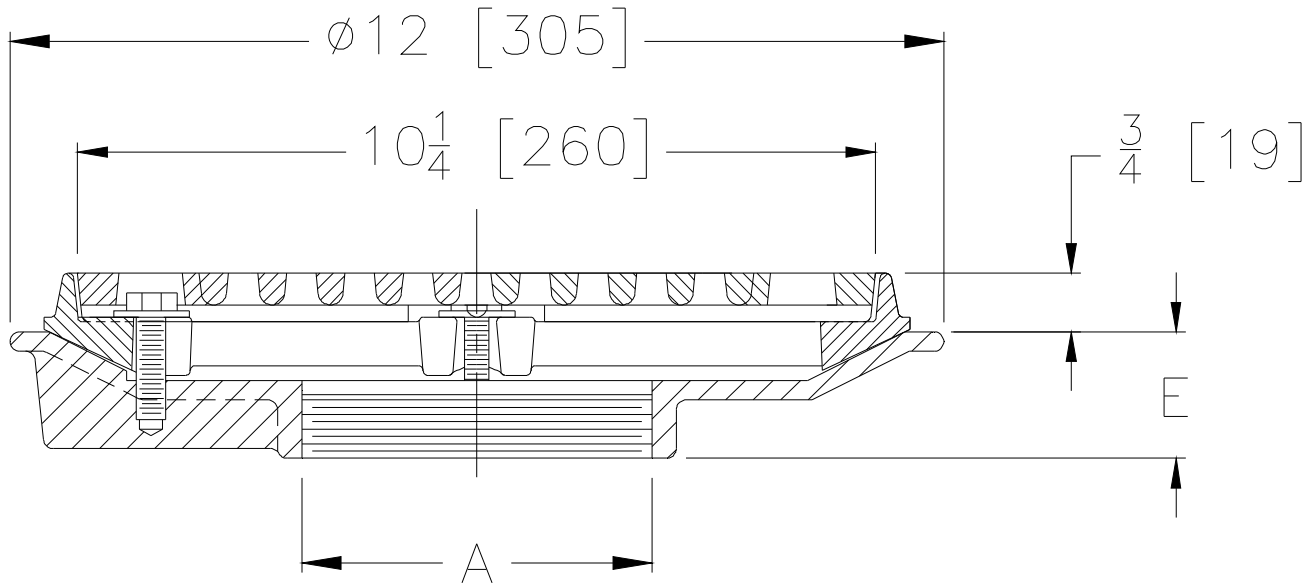
# Z111-FG

## 12 [305] DIAMETER FLAT DECK ROOF DRAIN W/ FLUSH GRATE

SPECIFICATION SHEET

TAG \_\_\_\_\_

Dimensional Data (inches and [ mm ]) are Subject to Manufacturing Tolerances and Change Without Notice



A Pipe Size in [mm]	Approx Wt. lbs [kg]	Grate Open Area in <sup>2</sup> [cm <sup>2</sup> ]
3,4 [76,102]	22 [10]	23 [148]
6 [152]	24 [11]	

### ENGINEERING SPECIFICATION: ZURN Z111-FG

12" [305mm] diameter flat deck roof drain for metal decks, Dura-Coated cast iron body with combination membrane flashing clamp/gravel guard and flat cast iron grate.

### OPTIONS (Check/specify appropriate options)

#### PIPE SIZE

3,4 [76,102]  
6 [152]

#### (Specify size/type) OUTLET

_____	IP	Threaded
_____	IP	Threaded

#### E BODY HT. DIM.

1-5/8 [41]  
1-7/8 [48]

#### PREFIXES

\_\_\_\_\_ Z D.C.C.I. Body with Dome\*

#### SUFFIXES

_____ -C	Underdeck Clamp
_____ -G	Galvanized Cast Iron
_____ -R	Roof Sump Receiver

\* Regularly furnished unless otherwise specified.