

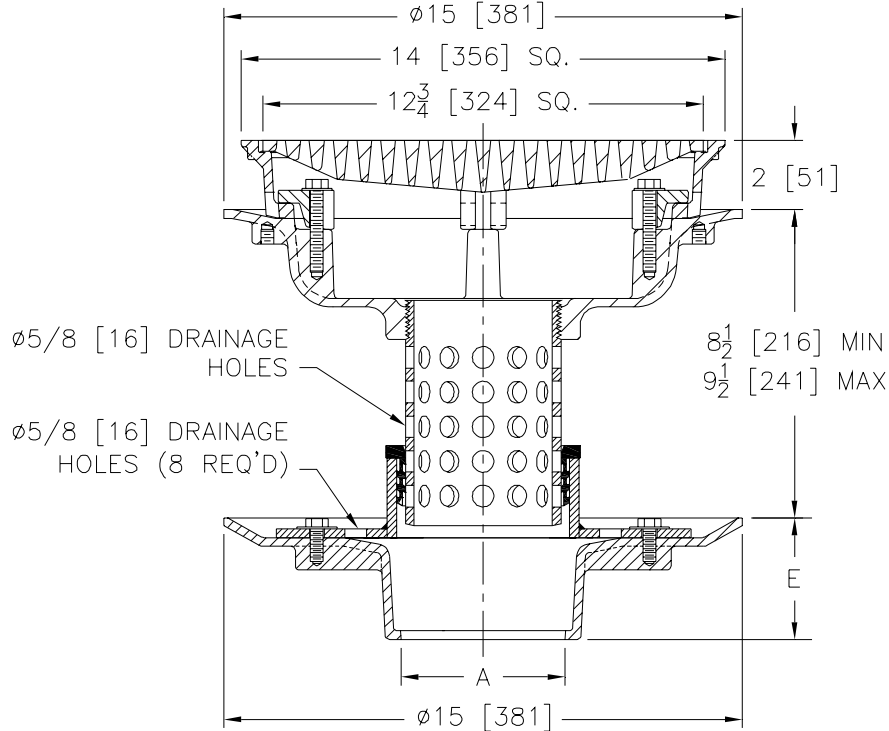


# Z150-122

## COMBINATION 14 [356] SQUARE TOP PROM-DECK DRAIN & SHALLOW BODY ISOLATION DECK DRAIN

TAG \_\_\_\_\_

Dimensional Data (inches and [mm]) are Subject to Manufacturing Tolerances and Changes Without Notice



A Pipe Size In.	Approx. Wt. Lbs. [kg]	Grate Open Area Sq. In. [cm <sup>2</sup> ]
3-4-6 [76-102-152]	85 [39]	44 [284]

### ENGINEERING SPECIFICATION: ZURN Z150-122

Combination 14 [356] square top prom-deck drain and shallow body isolation deck drain. Dura-coated cast iron upper body with rotatable square promenade frame, frame clamps, and heavy-duty heel-proof grate. Complete with perforated isolation nipple, neoprene flex gasket, perforated clamp collar, and dura-coated cast iron shallow lower drain body.

### OPTIONS (Check/specify appropriate options)

#### PIPE SIZE

- 3-4-6 [76-102-152]
- 3-4-6 [76-102-152]
- 3-4-6 [76-102-152]
- 3-4-6 [76-102-152]
- 3-4 [76-102]

#### (Specify size/type) OUTLET

- \_\_\_ IC Inside Caulk
- \_\_\_ IG Inside Caulk w/Sealtrol Gskt.
- \_\_\_ IP Threaded
- \_\_\_ NH No-Hub
- \_\_\_ NL Neo-Loc

#### 'E' BODY HT. DIM.

- 3 1/2 [89]
- 3 1/2 [89]
- 3 1/2 [89]
- 3 1/2 [89]
- 2 5/8 [67]

#### PREFIXES

- \_\_\_ Z D.C.C.I. Body with Top\*
- \_\_\_ ZB D.C.C.I. Body with Polished Bronze Top (Add 3/16 [5] to 2 [51] Dim & 3/8 [10] to 14 [356] Dim.)
- \_\_\_ ZN D.C.C.I. Body with Polished Nickel Bronze Top (Add 3/16 [5] to 2 [51] Dim. & 3/8 [10] to 14 [356] Dim.)

#### SUFFIXES

- \_\_\_ -AR Acid Resistant Epoxy Coated
- \_\_\_ -DG Duresist Grate
- \_\_\_ -DT Decorative Polished Top (ZB and ZN Only)
- \_\_\_ -DX Dex-o-tex Flange (Upper Body)
- \_\_\_ -E Static Extension 1 [25] thru 4 [102] (Specify Ht.)
- \_\_\_ -EA Adjustable Extension Assembly (Upper Body) 2 1/8 [54] thru 3 1/2 [89]
- \_\_\_ -ES Static Extension w/ Secondary Clamp Collar at Body (For Clamping at Roof Drain Body) (Upper Body)
- \_\_\_ -G Galvanized Cast Iron
- \_\_\_ -S Secondary Strainer
- \_\_\_ -SC Secondary Clamping Collar (Upper Body)
- \_\_\_ -SD Longer Standpipe (Specify Height Req'd)
- \_\_\_ -TS Secured Top with Slotted Screws
- \_\_\_ -VP Vandal-Proof Secured Top
- \_\_\_ -Y Sediment Bucket
- \_\_\_ -85 Stainless Steel Perforated Extension (Upper Body)

REV. DATE: 4/7/06 C.N. NO. 94986

DWG. NO. P-15263 PRODUCT NO. Z150-122

\*REGULARLY FURNISHED UNLESS OTHERWISE SPECIFIED