



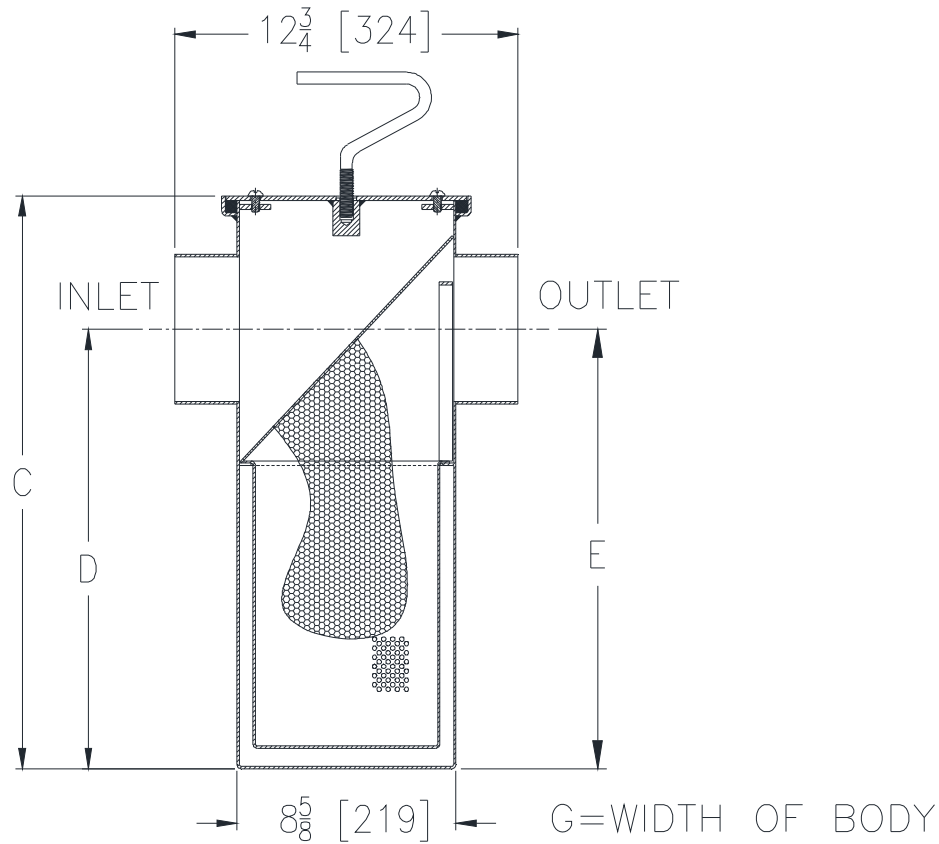
**Z1183-104**

**SIZE 900 SOLIDS INTERCEPTOR W/ DISPOSABLE  
FILTER BAGS, AND TOP FLUSH FLOOR INSTALLATION**

**SPECIFICATION SHEET**

**TAG \_\_\_\_\_**

Dimensional Data (inches and [ mm ]) are Subject to Manufacturing Tolerances and Change Without Notice



Size	Inlet/ Outlet Size	Flow Rate G.P.M. [L.P.M.]	Solids Cap. of Basket Cubic Ft. [m <sup>3</sup> ]	Dimensions in Inches [mm]			No. of Filter Bags Per Unit
				C	G	D/E	
900	4 [102]	75 [283]	1.61 [.045]	22-3/4 [578]	24-1/2 [622]	18-1/2 [470]	3

**ENGINEERING SPECIFICATION: ZURNZ1183-104**

Stainless steel, solids interceptor, for on floor recessed installation with replaceable filter bags, retainer plate, top flush lid, and removable sediment basket. Size to be used with corresponding Z1170 grease Interceptor.

**PREFIXES**

\_\_\_\_\_ Z All Type 304 Fabricated Stainless Steel

**SUFFIXES**

\_\_\_\_\_ -XB Extra Solids Interceptor Basket.  
 \_\_\_\_\_ -XXF Extra Supply of 30 Low Micron Solids Filter Bags.

**CAUTION:** Solids interceptor must be maintained periodically in order to ensure proper operation of the system. Cleaning schedule based on usage.

\* Regularly furnished unless otherwise specified.

**Zurn Industries, LLC | Specification Drainage Operation**  
 1801 Pittsburgh Avenue, Erie, PA U.S.A. 16502 · Ph. 855-663-9876, Fax 814-454-7929  
 In Canada | **Zurn Industries Limited**  
 3544 Nashua Drive, Mississauga, Ontario L4V 1L2 · Ph. 905-405-8272, Fax 905-405-1292  
[www.zurn.com](http://www.zurn.com)

Rev. -  
 Date: 02/11/19  
 C.N. No. 141058  
 Prod. | Dwg. No. Z1183-104