

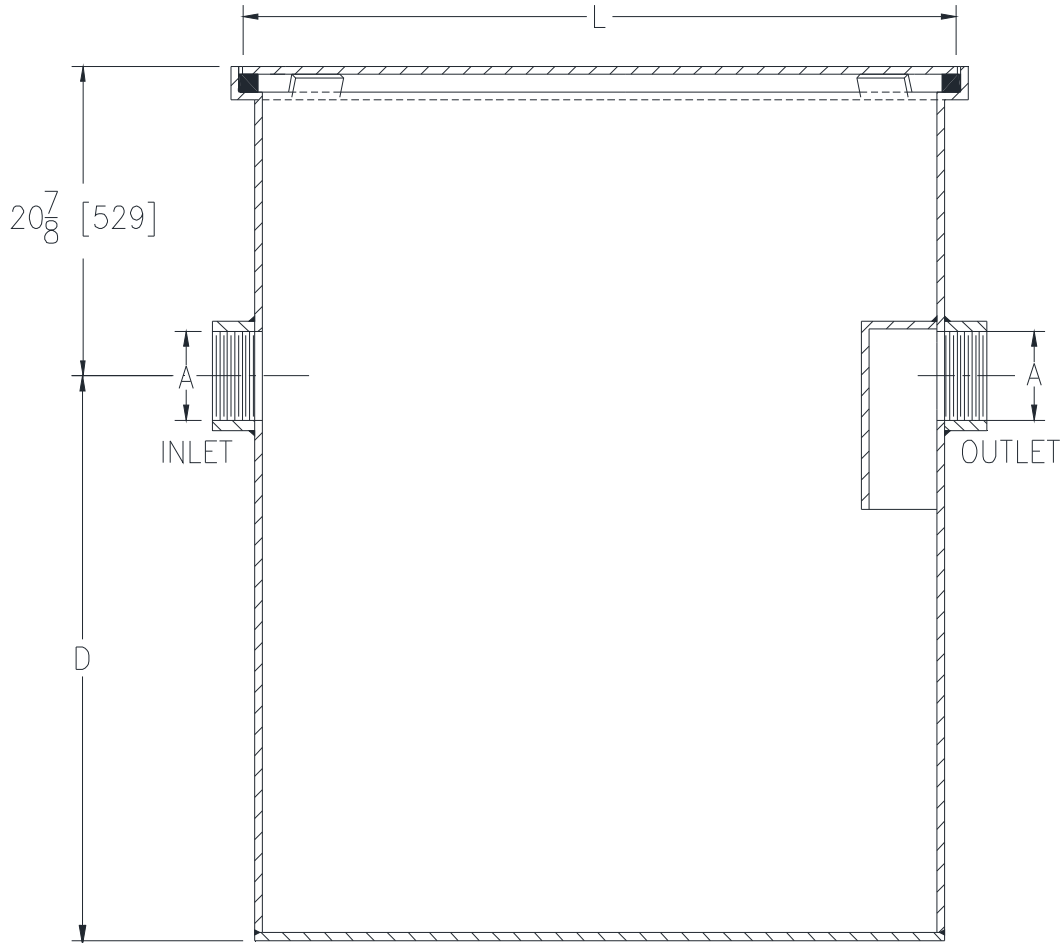


**Z1187-SI-131**  
**SIZE 104 SAND INTERCEPTOR**

**SPECIFICATION SHEET**

**TAG** \_\_\_\_\_

Dimensional Data (inches and [ mm ]) are Subject to Manufacturing Tolerances and Change Without Notice



Size	Flow GPM [LPM] (Max.)	A Pipe Size	L	D	Capacity Gal. [L] (Static)	Width
104	104 [394]	6 [152]	60-5/8 [1540]	29 [737]	250 [946]	36-5/8 [930]

**ENGINEERING SPECIFICATION: ZURN Z1187-SI-131**

Acid Resistant Coated interior and exterior fabricated steel sand interceptor with threaded inlet and outlet, complete with secured, gasketed, non-skid cover.

**OPTIONS** (Check/specify appropriate options)

**PREFIXES**

\_\_\_ Z Acid Resistant Coated Fabricated Steel\*

**SUFFIXES**

\_\_\_ -E 6 [152] Integral Extension Assembly for Recessed Installation  
 \_\_\_ -NH No-Hub Inlet and Outlet (Specify Size)  
 \_\_\_ -VP Vandal Proof Screws

\* Regularly furnished unless otherwise specified.