



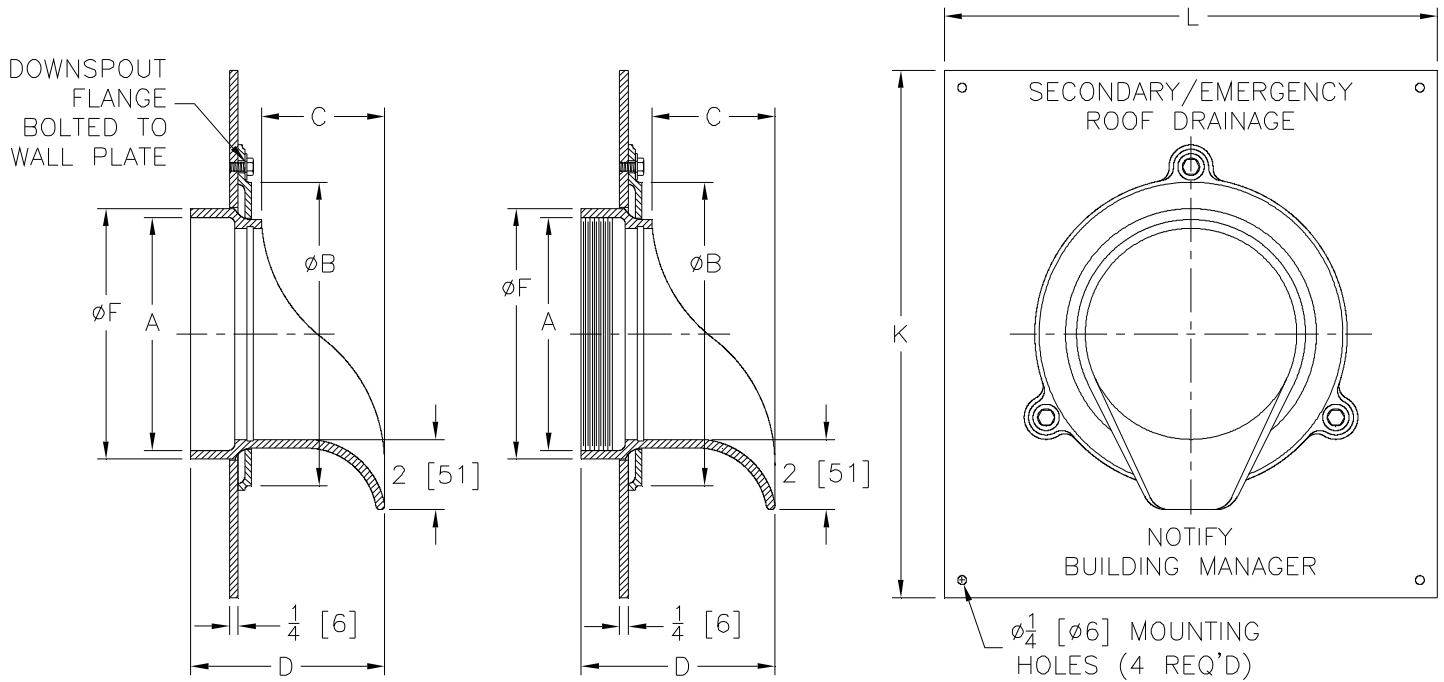
Z199-86

DOWNSPOUT NOZZLE W/ CUSTOM WALL PLATE

SPECIFICATION SHEET

TAG _____

Dimensional Data (inches and [mm]) are Subject to Manufacturing Tolerances and Change Without Notice



A Pipe Size	Dimensions in inches								Approx. Wt. Lbs. [kg]
	B	C	D		F		K	L	
			IP	NH	IP	NH			
3 [76]	5 1/2 [140]	2 5/8 [67]	4 1/2 [114]	4 1/2 [114]	4 [102]	3 3/8 [86]	12 [305]	11 [280]	9 [4]
4 [102]	6 5/8 [168]	2 43/64 [69]	4 1/2 [114]	4 1/2 [114]	5 [127]	4 3/8 [111]	12 [305]	12 [305]	10 [5]
6 [152]	8 5/8 [219]	3 3/32 [79]	4 59/64 [125]	5 15/32 [139]	7 1/8 [151]	6 5/16 [160]	15 [381]	14 [355]	16 [7]
8 [203]	10 5/8 [270]	2 31/32 [75]	4 59/64 [122]	5 25/32 [147]	9 1/8 [232]	8 3/8 [213]	16 [406]	16 [406]	19 [483]
10 [254]	12 5/8 [321]	3 1/2 [89]	5 53/64 [148]	6 5/16 [160]	11 5/32 [283]	10 9/16 [268]	18 [457]	18 [457]	24 [610]

ENGINEERING SPECIFICATION: ZURNZANB199-86

Downspout Nozzle, All nickel bronze body, optional threaded or no-hub inlet, decorative face of wall flange and outlet nozzle with 1/4 [6] thick stainless steel type 304 custom wall flange.

OPTIONS (Check/specify appropriate options)

PIPE SIZE

3, 4, 6, 8, 10 [76, 102, 152, 203, 254]
 3, 4, 6, 8, 10 [76, 102, 152, 203, 254]

(Specify size/type) **OUTLET**

____ IP Threaded
 ____ NH No-Hub

PREFIXES

____ ZANB All Nickel Bronze Body*
 ____ ZAB All Polished Bronze Body
 ____ ZARB All Plain Bronze Body

SUFFIXES

____ -PVC PVC Connection
 ____ -SS Removable Stainless Screen

REV. B	DATE: 8/31/11	C.N. NO. 122028
DWG. NO. P-15569	PRODUCT NO. Z199-86	

*REGULARLY FURNISHED UNLESS OTHERWISE SPECIFIED