



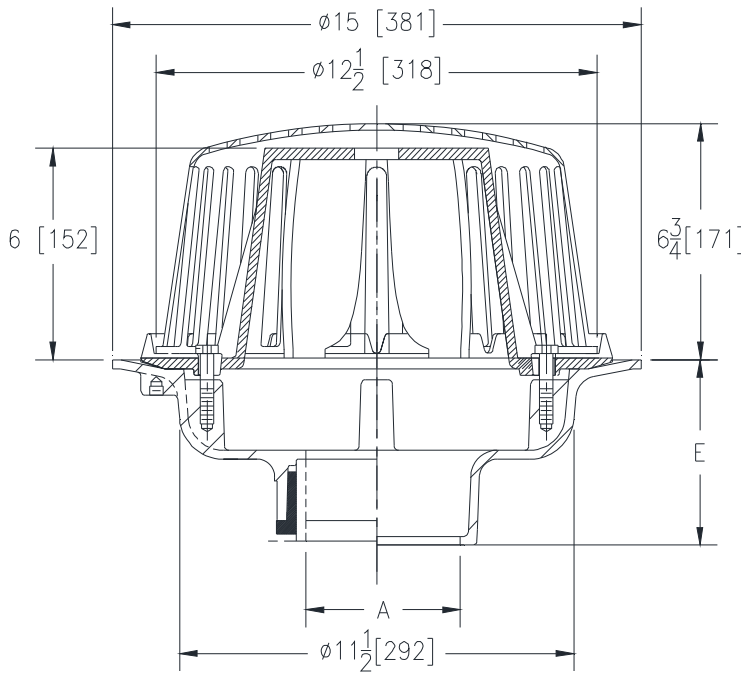
Z105-10

CONTROL-FLO ROOF DRAIN WITH 6 [152] PARABOLIC WEIR

SPECIFICATION SHEET

TAG _____

Dimensional Data (inches and [mm]) are Subject to Manufacturing Tolerances and Change Without Notice



Specify Number of Notches in Weir	
___ -N1	One Notch
___ -N2	Two Notches
___ -N3	Three Notches
___ -N4	Four Notches
___ -N5	Five Notches
___ -N6	Six Notches

A- Pipe Size In. [mm]	Approx. Wt. Lbs. [kg]	Dome Open Area Sq. In. [cm ²]
2,3,4 [51,76,102]	34 [15]	103 [665]

ENGINEERING SPECIFICATION: ZURN Z105-10
 15" [381mm] Diameter Control-Flo roof drain for sloped roof construction, Dura-Coated cast iron body, 6" [152mm] High Parabolic Control-Flo weir for sloped roof shall be linear functioning with integral membrane flashing clamp/gravel guard. All data shall be verified proportional to flow rates. Each notch will allow 10 GPM of flow per inch of rain water build up above the drain.

OPTIONS (Check/specify appropriate options)

PIPE SIZE

- 3, 4 [51,76,102]
- 2, 3, 4 [51,76,102]
- 2, 3, 4 [51,76,102]

(Specify size/type) OUTLET

- ___ IC Inside Caulk
- ___ NH No-Hub
- ___ NL Neo-Loc

E BODY HT. DIM.

- 5-1/4 [133]
- 5-1/4 [133]
- 4-9/16 [116]

PREFIXES

- ___ ZA D.C.C.I. Body with 6-3/4 [171] High Aluminum Dome
- ___ ZC D.C.C.I. Body with 6-3/4 [171] High Cast Iron Dome*

SUFFIXES

- ___ -C Underdeck Clamp
- ___ -DP Top-Set® Deck Plate (Replaces both -C & -R)
- ___ -E Static Extension 1 [25] thru 4 [102] (Specify Ht.)
- ___ -EA Adjustable Extension Assembly
2-1/8 [54] thru 3-1/2 [89]
- ___ -G Galvanized Cast Iron
- ___ -R Roof Sump Receiver
- ___ -TC Neo-Loc Test Cap Gasket (2,3,4 [51,76,102] NL Bottom Outlet Only)
- ___ -VP Vandal Proof Secured Top

* Regularly furnished unless otherwise specified.