

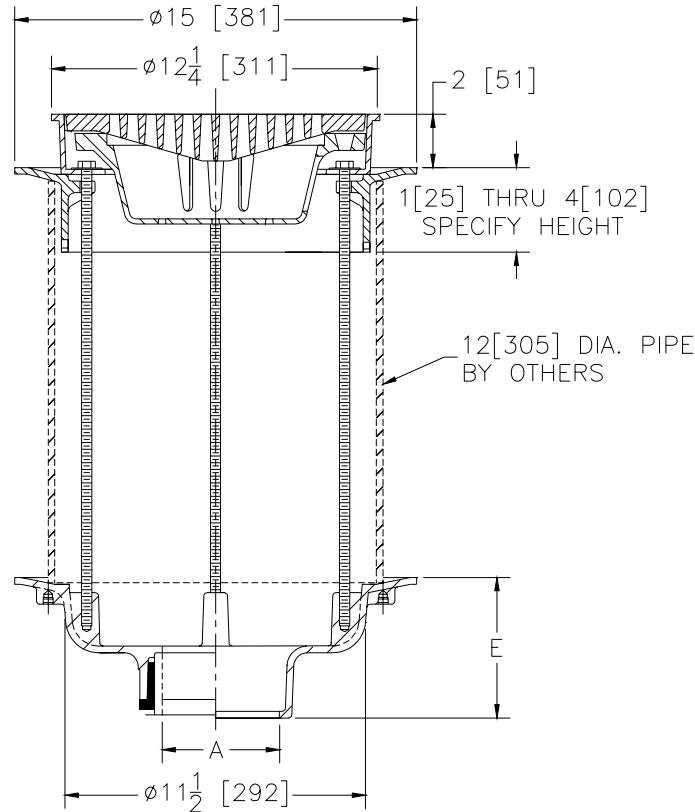


Z-541-109

12" [305] DIAMETER HEAVY DUTY DRAIN

TAG _____

Dimensional Data (inches and [mm]) are Subject to Manufacturing Tolerances and Change Without Notice



A- Pipe Size In.	Approx. Wt. Lbs. [kg]	Grate Open Area Sq. In. [cm ²]
2-3-4 [50-75-100]	52 [24]	29 [187]
5-6 [125-150]	53 [24]	
8 [200]	55 [25]	
10 [250]	57 [26]	

ENGINEERING SPECIFICATION: ZURN Z-541-109 12 [305] Diameter top drain. Dura-Coated cast iron body with bottom outlet, static extension, seepage pan and combination membrane flashing clamp and frame for anti-tilt heavy duty slotted grate with suspended sediment bucket.

OPTIONS (Check/specify appropriate options)

PIPE SIZE	(Specify size/type)	OUTLET	'E' BODY HT. DIM.
2 thru 6, 8, 10 [50 thru 150, 200, 250]	_____	IC Inside Caulk	5 1/4 [133]
2 thru 6, 8, 10 [50 thru 150, 200, 250]	_____	IP Threaded	3 3/4 [95]
2 thru 6, 8, 10 [50 thru 150, 200, 250]	_____	NH No-Hub	5 1/4 [133]
2 thru 4 [50 thru 100]	_____	NL Neo-Loc	4 5/8 [117]

PREFIXES

- _____ Z- D.C.C.I. Body and Grate*
- _____ ZB- D.C.C.I. Body with Polished Bronze Grate (Add 3/16 [5] to 2 [51] Dim.)
- _____ ZN- D.C.C.I. Body with Polished Nickel Bronze Grate (Add 3/16 [5] to 2 [51] Dim.)

SUFFIXES

- _____ -AR Acid Resisting Epoxy Coated Cast Iron
- _____ -DG Duresist Grate
- _____ -G Galvanized Cast Iron
- _____ -LY (Less) Sediment Bucket
- _____ -SS Stainless Mesh Liner for Bucket
- _____ -VP Vandal Proof Secured Top

REV.	DATE: 09/25/96	C.N. NO. 76027
DWG. NO. P-14388 PRODUCT NO. Z-541-109		

*REGULARLY FURNISHED UNLESS OTHERWISE SPECIFIED