

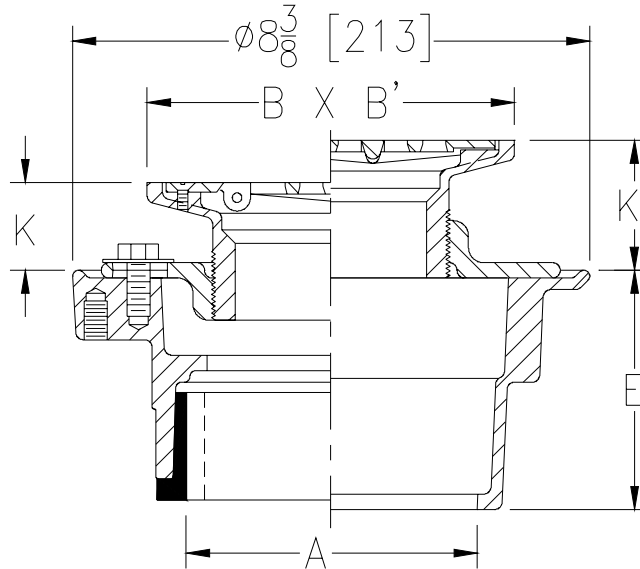


Z415SH-75 BODY ASSEMBLY W/ STAINLESS STEEL "TYPE SH" STRAINER

SPECIFICATION SHEET

TAG _____

Dimensional Data (inches and [mm]) are Subject to Manufacturing Tolerances and Change Without Notice



| Dimensions In Inches | | | | | | Approx. Wt. Lbs. [kg] | Strainer Open Area Sq. In. [cm ²] |
|----------------------|--------------------------------|-------------|------------|-------------|------------|-----------------------------|--|
| A - Pipe Size | B x B' Strainer Top Size | K | | K' | | | |
| | | Min. | Max. | Min. | Max. | | |
| 2-3-4 [51-76-102] | 6 x 6 [152 x 152] | 1 [25] | 1-7/8 [48] | 1-3/48 [44] | 2-5/8 [67] | 13 [6] | 12 [77] |
| 2-3-4 [51-76-102] | 8 x 8 [203 x 203] | 1-5/32 [29] | 2 [51] | 2 [51] | 3-3/4 [95] | 17 [8] | 21 [135] |
| 6 [152] | 8 x 8 [203 x 203] | 1-5/32 [29] | 2 [51] | 2 [51] | 3-3/4 [95] | 19 [9] | 21 [135] |

ENGINEERING SPECIFICATION: ZURN ZS415SH-75

Floor and shower drain, Dura-Coated cast iron body with bottom outlet, combination invertible membrane clamp and adjustable collar with seepags slots and "TYPE SH" stainless steel, square hinged, light-duty strainer.

OPTIONS (Check/specify appropriate options)

PIPE SIZE

- 2 thru 4 [51 thru 102]
- 2 thru 4 [51 thru 102]
- 2 [51]
- 3 [76]
- 4 [102]
- 6 [152]
- 2 thru 4 [51 thru 102]
- 2 thru 4 [51 thru 102]

(Specify size/type) **OUTLET**

- _____ IC Inside Caulk
- _____ IG Inside Gasket
- _____ IP Threaded
- _____ IP Threaded
- _____ IP Threaded
- _____ IP Threaded
- _____ NH No-Hub
- _____ NL Neo-Loc

'E' BODY HT. DIM.

- 3-7/8 [98]
- 3-7/8 [98]
- 2-3/8 [60]
- 2-5/8 [67]
- 2-7/8 [73]
- 2-3/4 [70]
- 3-7/8 [98]
- 3-3/4 [95]

PREFIXES

- _____ ZS D.C.C.I. Body Assembly w/ 304(CF8) Stainless Steel Top*

SUFFIXES

- | | |
|---|---|
| <ul style="list-style-type: none"> _____ -AR Acid Resisting Epoxy Coated Cast Iron _____ -G Galvanized Cast Iron _____ -P Trap Primer Connection (Specify 1/2 [13] or 3/4 [19]) _____ -SA Z1035 Stabilizer Assembly (NH & NL Outlets only) _____ -SQ Z1035-Q Stabilizer Assembly (NH & NL Outlets only) _____ -SR Stabilizer Ring _____ -TC Neo-Loc Test Cap Gasket (2 - 4 [51 - 102] NL Outlet Only) _____ -U 1 - 3 [25 - 76] High Extension Adapter _____ -V Backwater Valve | <ul style="list-style-type: none"> _____ -VP Vandal-Proof _____ -Y Sediment Bucket _____ -18 Leveling Ring (See Z400-18) _____ -90 90° Threaded Side Outlet Body Assembly (2 [51], 3 [76] Only) |
|---|---|

| | | |
|------------------------|------------------------------|------------------------|
| REV. | DATE: 12/09/10 | C.N. NO. 120640 |
| DWG. NO. 303677 | PRODUCT NO. Z415SH-75 | |

*REGULARLY FURNISHED UNLESS OTHERWISE SPECIFIED