

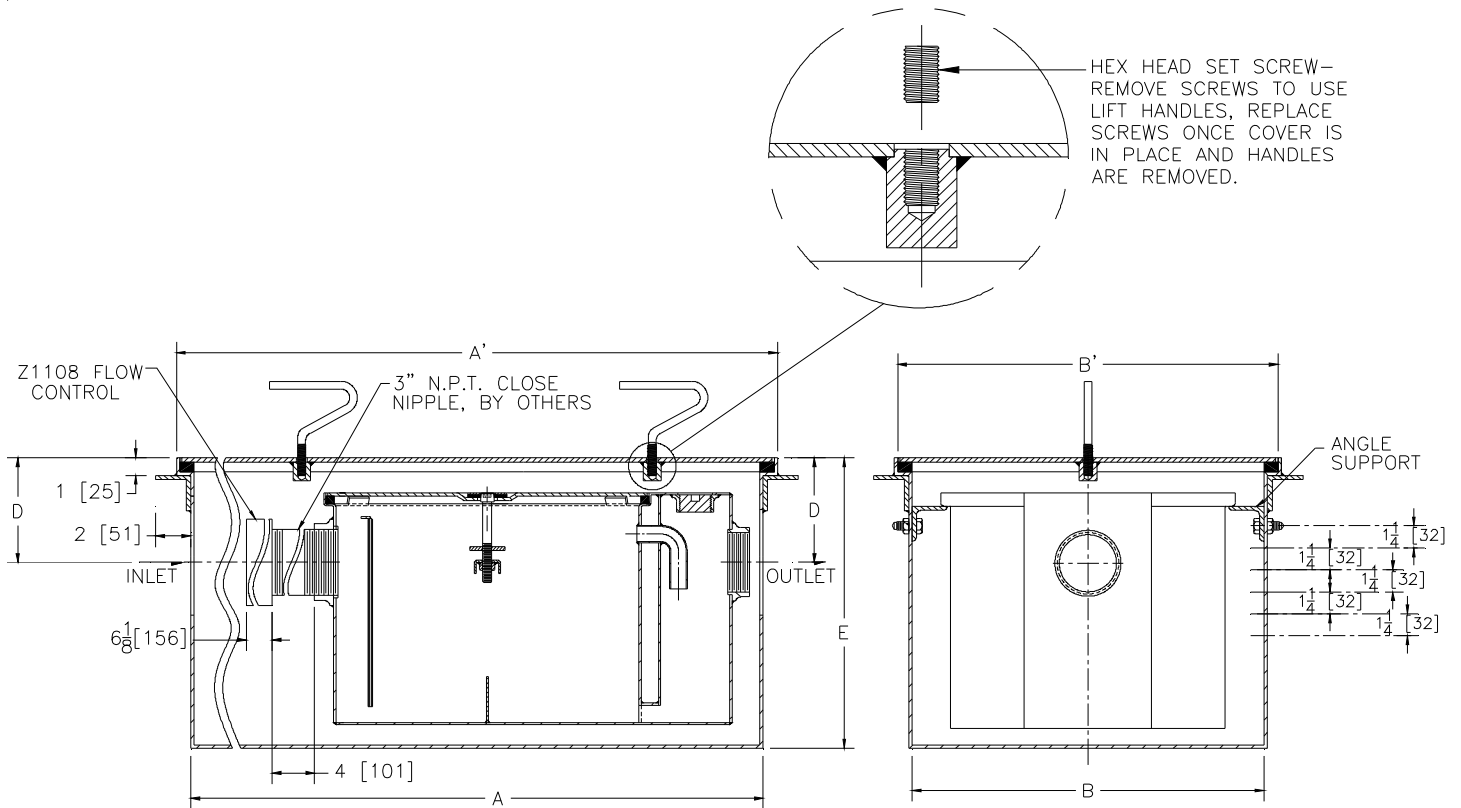


# Z1170-132

## ADJUSTABLE RECESSING RECEIVER FOR GREASE INTERCEPTOR WITH FLOW CONTROL TAG FITTING AND ANCHOR FLANGE WITH CLAMP COLLAR

SPECIFICATION SHEET

Dimensional Data (inches and [ mm ]) are Subject to Manufacturing Tolerances and Change Without Notice



Size	Dimensions in Inches					
	A	A'	B	B'	D	E
700	51 [1294]	53 [1346]	26 [660]	27 7/8 [780]	6 9/16 [167]	27 3/4 [705]
800	53 1/4 [1353]	55 1/4 [1403]	28 [711]	29 7/8 [762]	7 1/2 [191]	30 1/2 [775]

### ENGINEERING SPECIFICATION: ZURN Z1170-132

Acid Resistant Epoxy Coated Recessing receiver, enclosed type, equipped with adjustable support brackets, anchor flange 2 [51] wide with clamp collar and gasketed non-skid cover with removable lift handles. Complete with Z1170 Grease interceptor and Z1108 flow control fitting. For grease interceptor specifications see Z1170 specification sheet.

### PREFIXES

\_\_\_ Z Acid Resistant Coated Fabricated Steel\*

REV.	DATE: 6/1/09	C.N. NO. 120044
DWG. NO. P-15716 PRODUCT NO. Z1170-132		

\*REGULARLY FURNISHED UNLESS OTHERWISE SPECIFIED