



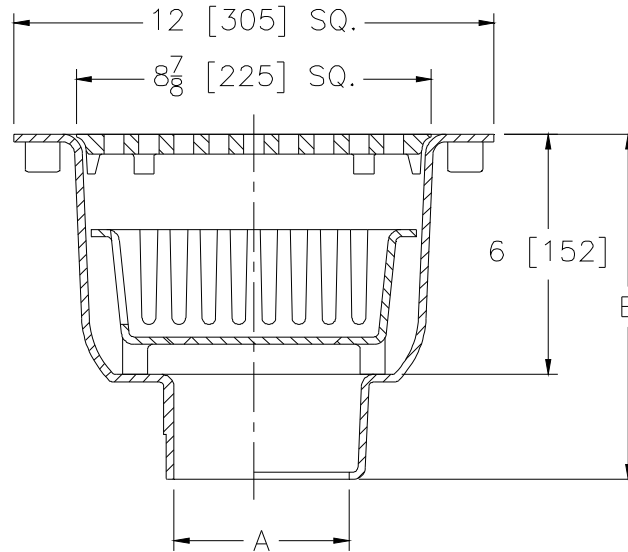
# Z1900-25

12 x 12 [305 x 305] A.R.E. SANI-FLOR RECEPTOR  
6 [152] SUMP DEPTH W/ A.R.C. BUCKET

SPECIFICATION SHEET

TAG \_\_\_\_\_

Dimensional Data (inches and [ mm ]) are Subject to Manufacturing Tolerances and Change Without Notice



| A<br>Pipe Size<br>In. [mm] | Approx<br>Wt.<br>Lbs.[kg] | Grate<br>Open Area<br>Sq. In. [cm <sup>2</sup> ] |
|----------------------------|---------------------------|--|
| 2,3,4 [51,76,102]          | 27 [12]                   | 31 [200]   |

### ENGINEERING SPECIFICATION: ZURN Z1900-25

Sani-Flor Receptor 12" x 12" x 6" [305mm x 305mm x 152mm] deep cast iron body and square slotted light duty grate, with white acid resisting porcelain enamel interior and top, black ground enamel exterior coating, and white A.R.C. bucket.

### OPTIONS (Check/specify appropriate options)

#### PIPE SIZE

- 3,4 [76,102]
- 2,3,4 [51,76,102]
- 2,3,4 [51,76,102]

#### (Specify size/type) OUTLET

- \_\_\_ IC Inside Caulk
- \_\_\_ NH No-Hub
- \_\_\_ NL Neo-Loc

#### 'E' BODY HT. DIMENSION

| Z           | ZN / ZS     |
|-------------|-------------|
| 8-5/8 [219] | 9-1/8 [232] |
| 8-5/8 [219] | 9-1/8 [232] |
| 8 [203]     | 8-1/2 [216] |

### PREFIXES

- \_\_\_ Z Cast Iron Body with White A.R.E. Interior\*
- \_\_\_ ZN Cast Iron Body with White A.R.E. Interior, 12-1/2 [317] Square Nickel Bronze Frame and Full Grate with 1/2 [13] Openings
- \_\_\_ ZS Cast Iron Body with White A.R.E. Interior, 12-1/2 [317] Square Stainless Steel Frame and Full Grate with 1/2 [13] Openings

### SUFFIXES

- |   |  |
|---|--|
| ___ -DX Dex-O-Tex Flange (ZN Only)  | ___ -1 (Less) Grate  |
| ___ -HD Stainless Steel Frame w/ Extra Heavy-Duty Stainless Steel Grate (ZS Only) | ___ -2 1/2 Grate   |
| ___ -HP Heel-Proof Grate (ZN Only)  | ___ -3 3/4 Grate   |
| ___ -K Anchor Flange with Seepage Holes   | ___ -4 Full Grate w/ Center Opening (2 [51] Dia. For Z) and (3-1/32 [77] Square for ZN & ZS) |
| ___ -KC Anchor Flange with Seepage Holes and Clamp Collar                         | ___ -6 Grate w/ 6 [152] Dia. x 6 [152] High Funnel   |
| ___ -P 1/2 [13] Trap Primer Connection (See Z1023)                                | ___ -8 Grate w/ 8-7/8 x 3-5/8 x 3-3/4 [225 x 92 x 95] High Oval Funnel                       |
| ___ -SA Stabilizer Assembly (See Z1903)   | ___ -11 Vandal-Proof Secured Top (ZN & ZS Only)  |
| ___ -TC Neo-Loc Test Cap Gasket (2,3,4 [51,76,102] NL Bottom Outlet Only)         | ___ -15 Solid Loose Set Cover (Z & ZN Only)  |
| ___ -VPS Vandal Proof Strainer  | ___ -19 Full Hinged Grate (ZN only)  |
|   | ___ -31 Stainless Steel Mesh Liner for Bucket  |

\* Regularly furnished unless otherwise specified.