

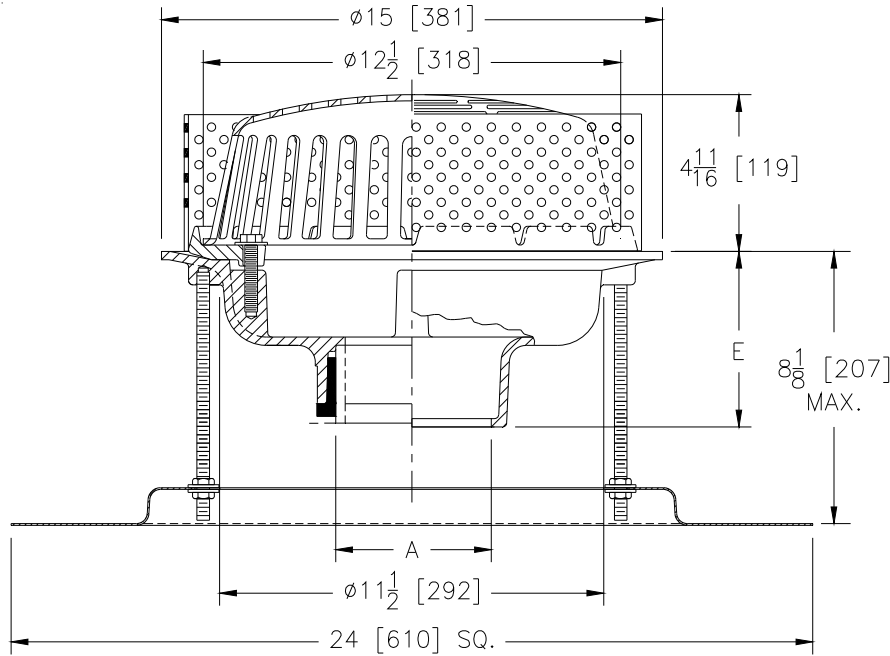


Z100-281

15 [381] DIAMETER MAIN ROOF DRAIN W/ TOP-SET® ADJUSTABLE EXTENSION ASSEMBLY & PERFORATED GRAVEL GUARD

TAG _____

Dimensional Data (inches and [mm]) are Subject to Manufacturing Tolerances and Change Without Notice



A- Pipe Size In.	Approx. Wt. Lbs. [kg]	Dome Open Area Sq. In. [cm ²]
2-3-4 [51-76-102]	36 [16]	103 [665]
5-6 [127-152]	37 [17]	
8-10 [203-254]	38 [17]	

ENGINEERING SPECIFICATION: ZURN Z100-281

15 [381] Diameter roof drain. Dura-Coated cast iron body with combination membrane flashing clamp/gravel guard, Top-Set® adjustable extension assembly, perforated gravel guard and Vandal-Proof secured low silhouette Poly-Dome.

OPTIONS (Check/specify appropriate options)

PIPE SIZE

- 2-3-4-5-6-8 [51-76-102-127-152-203]
- 2-3-4-5-6-8 [51-76-102-127-152-203]
- 2-3-4-5-6-8-10 [51-76-102-127-152-203-254]
- 2-3-4 [51-76-102]
- 6 [152]

(Specify size/type) **OUTLET**

- ___ IC Inside Caulk
- ___ IP Threaded
- ___ NH No-Hub
- ___ NL Neo-Loc
- ___ NL Neo-Loc

E BODY HT. DIM.

- 5-1/4 [133]
- 3-3/4 [95]
- 5-1/4 [133]
- 4-5/8 [117]
- 5-7/16 [138]

PREFIXES

- ___ Z D.C.C.I. Body with Poly-Dome*
- ___ ZA D.C.C.I. Body with Aluminum Dome
- ___ ZC D.C.C.I. Body with Cast Iron Dome
- ___ ZRB D.C.C.I. Body with Plain Bronze Dome

SUFFIXES

- | | |
|--|---|
| ___ -AR Acid Resistant Epoxy Coated Finish | ___ -SS Stainless Steel Mesh Screen Over Dome |
| ___ -DX Dex-O-Tex Flange | ___ -ST Solid Top Dome |
| ___ -E Static Extension 1 [25] thru 4 [102] (Specify Ht.) | ___ -TC Neo-Loc Test Cap Gasket
(2 - 4 [51 - 102] NL Bottom Outlet Only) |
| ___ -EA Adjustable Extension Assembly
(2-1/8 [54] thru 3-1/2 [89]) | ___ -W2 2 [51] Internal Water Dam |
| ___ -FG Flush Grate | ___ -W3 3 [76] Internal Water Dam |
| ___ -G Galvanized Cast Iron | ___ -W4 4 [102] Internal Water Dam |
| ___ -GD Galvanized Cast Iron Dome | ___ -85 Stainless Steel Perforated Extension |
| ___ -HD 6-3/4 [171] High Aluminum Dome
(148 Sq. In. [955 cm ²] Open Area) | ___ -89 2 [51] High External Water Dam |
| ___ -SC Secondary Clamping Collar | |

* Regularly furnished unless otherwise specified.