



Z888-4-PVSS-BG

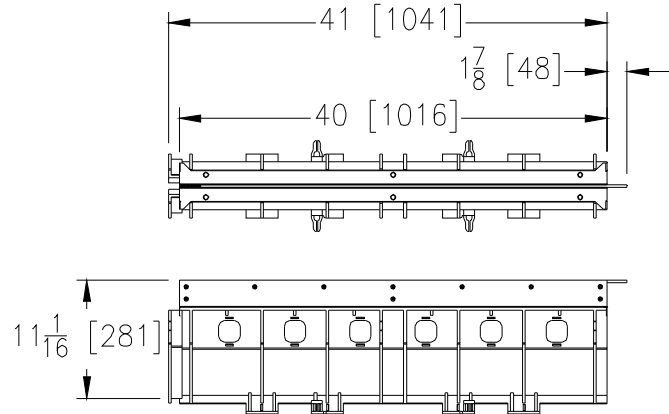
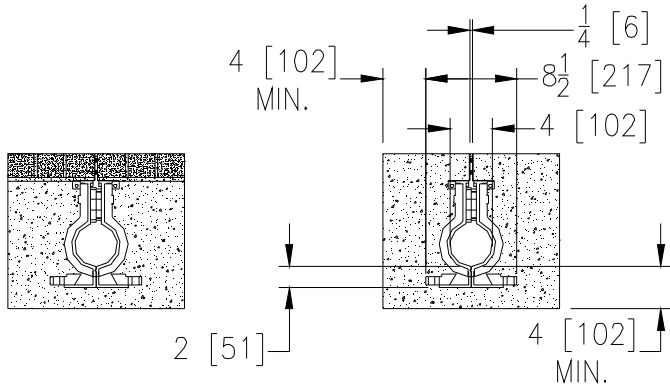
SPECIFICATION SHEET

0.35 [9] WIDE REVEAL TRENCH DRAIN SYSTEM
W/ STAINLESS STEEL TOP .25 [6] WIDE x 2.50 [64] TALL

TAG _____

Dimensional Data (inches and [mm]) are Subject to Manufacturing Tolerances and Change Without Notice

SPECIFYING ENGINEER IS RESPONSIBLE FOR
CONCRETE ENCASEMENT AND REINFORCING
BASED UPON APPLICATION AND LOCAL CODES



NOTE: + Actual Channel length is 41 [1041] to allow for overlap.

ENGINEERING SPECIFICATION: Zurn Z888-4-PVSS-BG Channels shall be 40 [1016] long, 0.25 [6] wide slot and have a 4 [102] throat. Modular channel sections shall be made of 0% water absorbent High Density Polyethylene (HDPE), and is UV-10 stabilized. Shall have a positive mechanical connection between channel sections that will not separate during the installation and shall mechanically lock into the concrete surround a minimum of every 6 [152]. Channels shall weigh less than 4.2 lbs.[1.9kg] per linear foot, have a smooth, 2 [51] radiused self cleaning neutral bottom with 0% built in slope. Channels shall have rebar clips molded onto bedding feet and/or bedding feet shall be used for positioning as standard to secure trench in its final location. Trench shall be provided with standard PVSS-BG non-removable grate. Zurn 0.25 [6] wide reveal and 2.50 [64] tall fabricated Stainless Steel Paver Slot grate. Is rated for pedestrian traffic. Supplied in 40 [1016] nominal lengths with removable zip strip for alignment and has an open area of 3 sq. in per ft. [1935.5 sq. mm per meter].

PREFIX OPTIONS (Check/specify appropriate options)

___ Z Three Foot Four Inch High Density Polyethylene (HDPE)*

SUFFIX OPTIONS (Check/specify appropriate options)

Outlet Adapters Add/Each

- ___ -E1 Closed End Cap
- ___ -E2 2 [51] No-Hub End Outlet
- ___ -E3 3 [76] No-Hub End Outlet
- ___ -E4 4 [102] No-Hub End Outlet
- ___ -U2 2 [51] No-Hub Bottom Outlet
- ___ -U3 3 [76] No-Hub Bottom Outlet
- ___ -U4 4 [102] No-Hub Bottom Outlet

*REGULARLY FURNISHED UNLESS OTHERWISE SPECIFIED

REV.	DATE: 9/02/10	C.N. NO. 111661
DWG. NO. 302104	PRODUCTNO. Z888-4-PVSS-BG	

ZURN INDUSTRIES, LLC ♦ SPECIFICATION DRAINAGE OPERATION ♦ 1801 Pittsburgh Ave. ♦ Erie, PA 16514

Phone: 814/455-0921 ♦ Fax: 814/454-7929 ♦ World Wide Web: www.zurn.com

In Canada: ZURN INDUSTRIES LIMITED ♦ 3544 Nashua Drive ♦ Mississauga, Ontario L4V1L2 ♦ Phone: 905/405-8272 Fax: 905/405-1292