



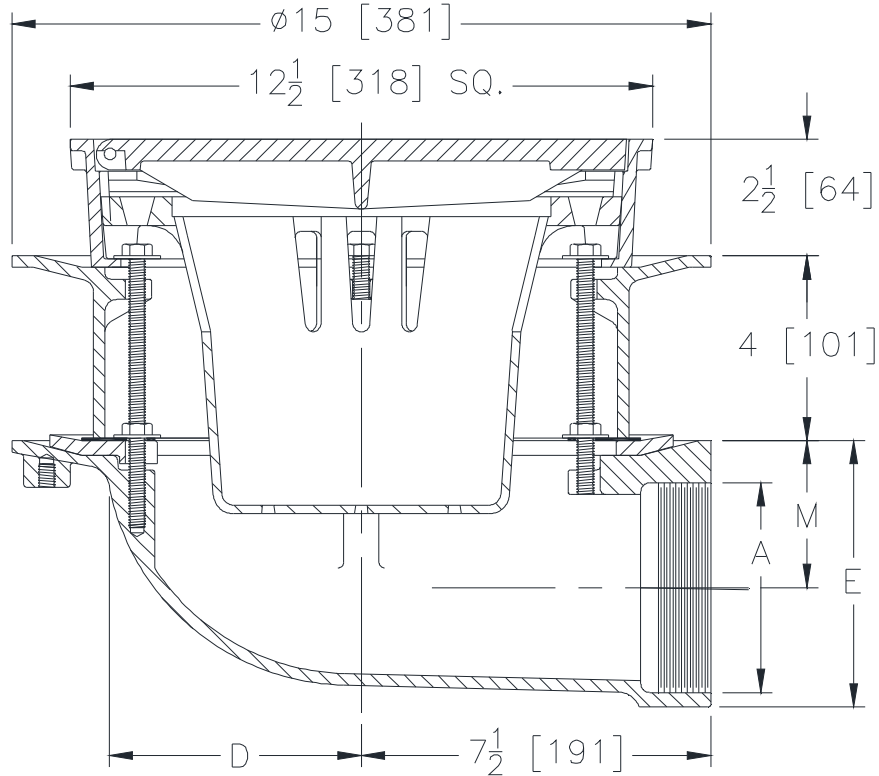
# Z610-142

12-1/2 [318] SQUARE TOP HEAVY-DUTY DRAIN W/ HINGED SOLID COVER, SIDE OUTLET, 4 [102] EXTENSION, AND DEEP SEDIMENT BUCKET

SPECIFICATION SHEET

TAG \_\_\_\_\_

Dimensional Data (inches and [ mm ]) are Subject to Manufacturing Tolerances and Change Without Notice



Dimensions in Inches [millimeter]			Approx.
A Pipe Size	D	M	Wt.
2 [51]	5-7/16 [138]	4-1/4 [108]	92 [42]
3 [76]		3-11/16 [94]	90 [42]
4 [102]		3-3/16 [81]	91 [41]
6 [152]	5-1/2 [140]	4-1/4 [108]	97 [44]

### ENGINEERING SPECIFICATION: ZURN Z610-142

12-1/2" [318mm] Square top heavy-duty drain. Dura-Coated cast iron body with side outlet, seepage pan and combination membrane flashing clamp, 4" [102mm] extension frame with secondary clamp collar, frame for heavy-duty cast iron hinged solid cover with deep sediment bucket.

### OPTIONS (Check/specify appropriate options)

#### PIPE SIZE

2, 3, 4 [51, 76, 102]  
6 [152]

#### (Specify size/type) OUTLET

\_\_\_\_\_ IP Threaded  
\_\_\_\_\_ IP Threaded

#### E BODY HT. DIM.

5-3/4 [146]  
7-7/8 [200]

#### PREFIXES

\_\_\_\_\_ Z D.C.C.I. Body and Grate

#### SUFFIXES

- \_\_\_\_\_ -AR Acid Resistant Epoxy Coated Cast Iron
- \_\_\_\_\_ -G Galvanized Cast Iron
- \_\_\_\_\_ -LY (Less) Sediment Bucket
- \_\_\_\_\_ -SS Stainless Steel Mesh Liner for Bucket

\* Regularly furnished unless otherwise specified.