



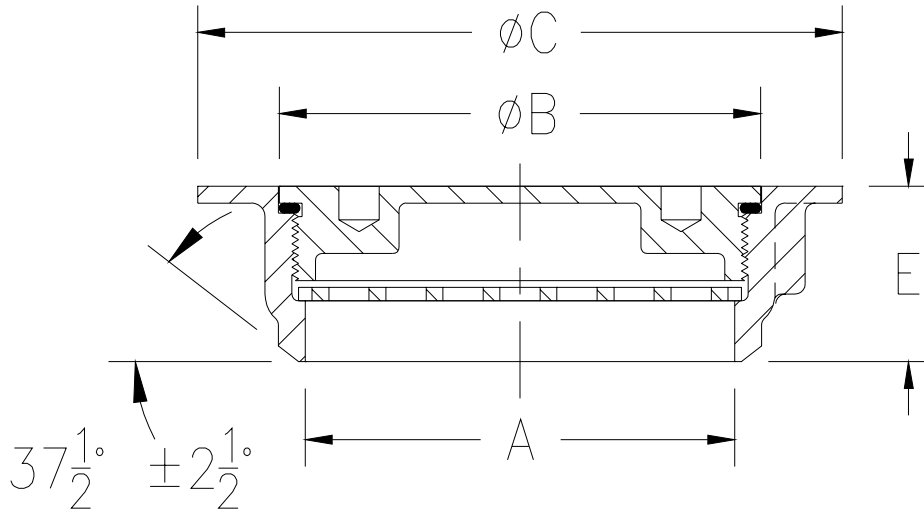
# Z1745-84

## FLOOR CLEANOUT WITH O-RING SEAL PLUG AND SECONDARY STRAINER

SPECIFICATION SHEET

TAG \_\_\_\_\_

Dimensional Data (inches and [ mm ]) are Subject to Manufacturing Tolerances and Change Without Notice



Dimensions in Inches			Approx. Wt. Lbs.
A- Pipe Size	B	C	
2 [50]	2 3/4 [70]	4 [102]	6 [3]
3 [75]	3 1/2 [89]	4 7/8 [124]	
4 [100]	4 1/2 [114]	6 [152]	
6 [150]	7 7/8 [200]	9 3/8 [238]	10 [5]
8 [200]	9 7/8 [251]	11 [280]	

**ENGINEERING SPECIFICATION:** ZURN Z1745-84 All Type 304 (CF8) stainless steel cleanout body, stainless steel perforated secondary strainer and plug with O-ring seal. Plug is scoriated with satin finish. Spanner wrench provided for each plug size.

**OPTIONS** (Check/specify appropriate options)

**PIPE SIZE**

2 thru 4, 6 [50 thru 100, 150]  
8 [200]

(Specify size/type) **OUTLET**

\_\_\_\_ BW Butt-weld  
\_\_\_\_ BW Butt-weld

**'E' BODY HT. DIM.**

1 5/8 [41]  
2 1/2 [64]

**PREFIXES**

- \_\_\_\_ Z Type 304 (CF8) Stainless Steel Body\*
- \_\_\_\_ ZC Type A-27 Carbon Steel Body (P.O.A.)
- \_\_\_\_ ZM Type 316 (CF8M) Stainless Steel Body

**SUFFIXES**

- \_\_\_\_ -SW Bronze Spanner Wrench

REV.	DATE: 11/8/05	C.N. NO. 94182
DWG. NO. P-15223		PRODUCT NO. Z1745-84

\*REGULARLY FURNISHED UNLESS OTHERWISE SPECIFIED