



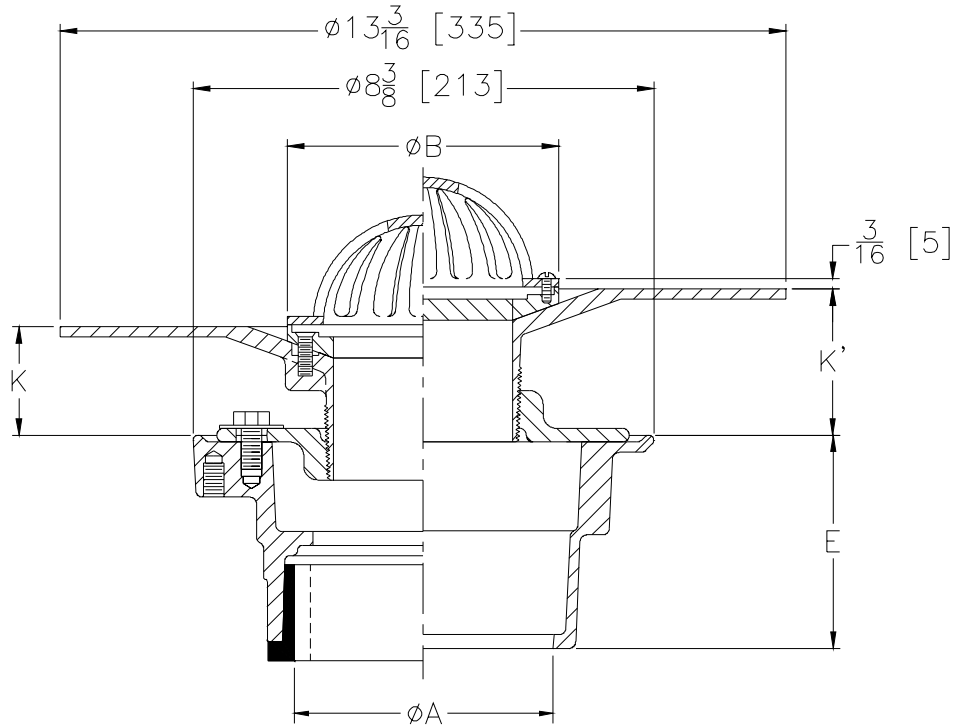
Z415G-75

BODY ASSEMBLY W/ "TYPE G" WIDE FLANGE HEAD

SPECIFICATION SHEET

TAG _____

Dimensional Data (inches and [mm]) are Subject to Manufacturing Tolerances and Change Without Notice



A - Pipe Size	B Dia. Strainer	Str. Open Area Sq. In. [cm ²]	Approx. Wt. Lbs. [kg.]	K		K'	
				Min.	Max.	Min.	Max.
2-3 [51-76]	5 [127]	10 [254]	14 [356]	1 3/8 [35]	2 3/8 [60]	2 1/4 [57]	3 3/8 [86]

ENGINEERING SPECIFICATION: ZURN ZN415G-75 Floor and shower drain. Dura-Coated cast iron body with bottom outlet, combination invertible membrane clamp and adjustable collar with "TYPE G" wide flanged head and polished nickel bronze dome strainer.

OPTIONS (Check/specify appropriate options)

PIPE SIZE

- 2-3 [51-76]
- 2-3 [51-76]
- 2-3 [51-76]
- 2-3 [51-76]
- 2-3 [51-76]

(Specify size/type) **OUTLET**

- _____ IC Inside Caulk
- _____ IG Threaded
- _____ IP Threaded
- _____ NH No-Hub
- _____ NL Neo-Loc

'E' BODY HT. DIM.

- 3 7/8 [98]
- 3 7/8 [98]
- 2 5/8 [67]
- 3 7/8 [98]
- 4 5/8 [117]

PREFIXES

- _____ ZB D.C.C.I. Body Assembly w/ Polished Bronze Top
- _____ ZN D.C.C.I. Body Assembly w/ Polished Nickel Bronze Top*

SUFFIXES

- _____ -AR Acid Resisting Epoxy Coated Cast Iron
- _____ -BS Bronze Mesh Screen Over Dome
- _____ -CP Chrome-Plated Bronze Dome
- _____ -G Galvanized Cast Iron
- _____ -P Trap Primer Connection (Specify 1/2 [13] or 3/4 [19])
- _____ -SS Stainless Steel Mesh Screen Over Dome
- _____ -TC Neo-Loc Test Cap Gasket (2 - 4 [51 - 402] NL Bottom Outlet Only)
- _____ -U 1 - 3 [25 -76] High Extension Adapter
- _____ -V Backwater Valve
- _____ -VP Vandal-Proof Secured Top
- _____ -Y Sediment Bucket
- _____ -90 90° Side Outlet Body Assembly (2 [51], 3 [76] Only)

*REGULARLY FURNISHED UNLESS OTHERWISE SPECIFIED

REV. A	DATE: 03/25/04	C.N. NO. 92057
DWG. NO. P-13766	PRODUCT NO. Z415G-75	

ZURN INDUSTRIES, INC. ♦ SPECIFICATION DRAINAGE OPERATION ♦ 1801 Pittsburgh Ave. ♦ Erie, PA 16514

Phone: 814/455-0921 ♦ Fax: 814/454-7929 ♦ World Wide Web: www.zurn.com

In Canada: ZURN INDUSTRIES LIMITED ♦ 3544 Nashua Drive ♦ Mississauga, Ontario L4V1L2 ♦ Phone: 905/405-8272 Fax: 905/405-1292