



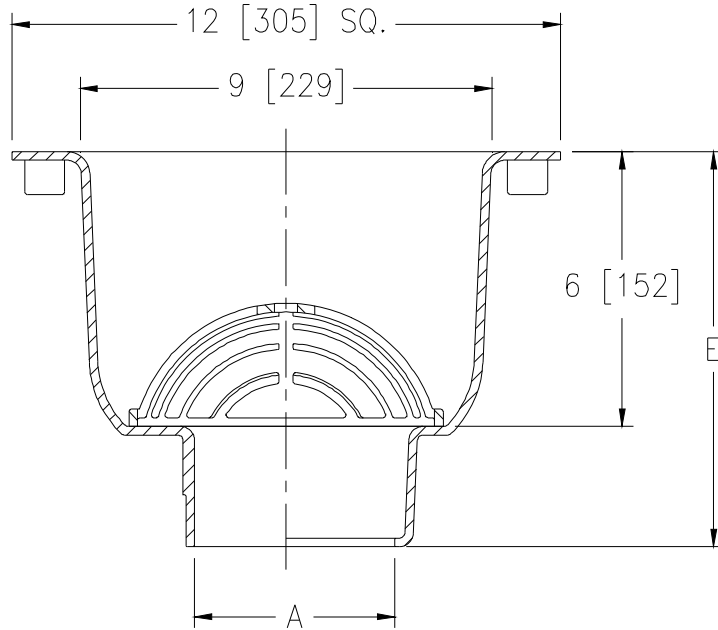
# Z1900-1

12 X 12 [305 X 305] A.R.E. SANI-FLOR RECEPTOR  
6 [152] SUMP DEPTH LESS GRATE

SPECIFICATION SHEET

TAG \_\_\_\_\_

Dimensional Data (inches and [ mm ]) are Subject to Manufacturing Tolerances and Change Without Notice



A Pipe Size In. [mm]	Approx Wt. Lbs. [kg]
2,3,4 [51,76,102]	18 [8]

### ENGINEERING SPECIFICATION: ZURN Z1900-1

Sani-Flor Receptor 12" x 12" x 6" [305mm x 305mm x 152mm] deep cast iron body less grate, with white acid resisting porcelain enamel interior and top, black ground enamel exterior coating, and white ABS anti-splash interior bottom dome strainer.

### OPTIONS (Check/specify appropriate options)

#### PIPE SIZE

3,4 [76,102]  
2,3,4 [51,76,102]  
2,3,4 [51,76,102]

#### (Specify size/type) OUTLET

\_\_\_ IC Inside Caulk  
\_\_\_ NH No-Hub  
\_\_\_ NL Neo-Loc

#### 'E' BODY HT. DIMENSION

Z	ZN / ZS
8-5/8 [219]	9-1/8 [232]
8-5/8 [219]	9-1/8 [232]
8 [203]	8-1/2 [216]

### PREFIXES

\_\_\_ Z Cast Iron Body with White A.R.E. Interior\*  
\_\_\_ ZN Cast Iron Body with White A.R.E. Interior, 12-1/2 [317] Square Nickel Bronze Frame  
\_\_\_ ZS Cast Iron Body with White A.R.E. Interior, 12-1/2 [317] Square Stainless Steel Frame

### SUFFIXES

___ -DX Dex-O-Tex Flange (ZN Only)	___ -23 Aluminum Bucket
___ -K Anchor Flange with Seepage Holes	___ -25 White A.R.C. Bucket
___ -KC Anchor Flange with Seepage Holes and Clamp Collar	___ -31 Stainless Steel Mesh Liner for Bucket
___ -LD (Less) Bottom Dome Strainer	___ -32 Aluminum Dome Strainer
___ -P 1/2 [13] Trap Primer Connection (See Z1023)	___ -33 White A.R.C. Anti-Splash Bottom Dome Strainer
___ -SA Stabilizer Assembly (See Z1903)	
___ -TC Neo-Loc Test Cap Gasket (2,3,4 [51,76,102] NL Bottom Outlet Only)	
___ -VPS Vandal-Proof Strainer	

\* Regularly furnished unless otherwise specified.

Zurn Industries, LLC | Specification Drainage Operation  
1801 Pittsburgh Avenue, Erie, PA U.S.A. 16502 · Ph. 855-663-9876, Fax 814-454-7929  
In Canada | Zurn Industries Limited  
3544 Nashua Drive, Mississauga, Ontario L4V 1L2 · Ph. 905-405-8272, Fax 905-405-1292  
[www.zurn.com](http://www.zurn.com)

Rev. G  
Date: 10/11/2017  
C.N. No. 138677  
Prod. | Dwg. No. Z1900-1