



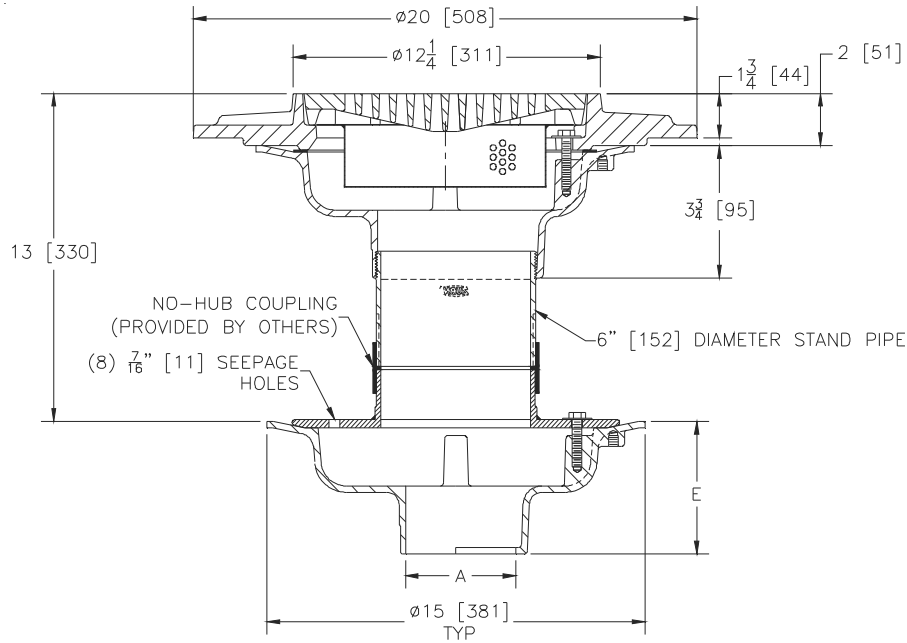
# Z624-115

12 [305] DIAMETER PARKING DECK ISOLATION DRAIN  
W/ 6 [152] STANDPIPE

SPECIFICATION SHEET

TAG \_\_\_\_\_

Dimensional Data (inches and [ mm ]) are Subject to Manufacturing Tolerances and Change Without Notice



A- Pipe Size In. [mm]	Approx. Wt. Lbs. [kg]	Grate Open Area Sq. In. [cm <sup>2</sup> ]
2,3,4,5,6 [51,76,102,127,152]	116 [53]	30 [194]

### ENGINEERING SPECIFICATION: ZURN Z624-115

12" [305mm] Diameter Parking Deck Drain, Dura-Coated cast iron body with bottom outlet, heavy duty gasketed drain support flange, with heavy-duty slotted grate and sediment bucket. Isolation deck drain features cast iron body and clamping collar with seepage holes, 6" [152mm] cast iron stand pipe, and neoprene gasket.

### OPTIONS (Check/specify appropriate options)

#### PIPE SIZE

- 2,3,4,5,6 [51,76,102,127,152]
- 2,3,4,6 [51,76,102,152]
- 2,3,4,5,6 [51,76,102,127,152]
- 2,3,4,5,6 [51,76,102,127,152]
- 2,3,4 [51,76,102]

#### (Specify size/type) OUTLET

- \_\_\_ IC Inside Caulk
- \_\_\_ IG Inside Gasket
- \_\_\_ IP Threaded
- \_\_\_ NH No-Hub
- \_\_\_ NL Neo-Loc

#### 'E' BODY HT. DIM.

- 5-1/4 [133]
- 5-1/4 [133]
- 3-3/4 [95]
- 5-1/4 [133]
- 4-5/8 [117]

#### PREFIXES

- \_\_\_ Z D.C.C.I. Body and Top\*
- \_\_\_ ZB D.C.C.I. Body with Polished Bronze Top (Add 3/16 [5] to 2 [51] Dim and 3/4 [19] To 12-1/4 [311] Dim.)
- \_\_\_ ZN D.C.C.I. Body with Polished Nickel Bronze Top (Add 3/16 [5] to 2 [51] Dim and 3/4 [19] To 12-1/4 [311] Dim.)

#### SUFFIXES

- \_\_\_ -C Underdeck Clamp (Lower Body)
- \_\_\_ -DP Top-Set® Deck Plate (Lower Body)
- \_\_\_ -G Galvanized Cast Iron
- \_\_\_ -HP Heel-Proof Grate
- \_\_\_ -R Roof Sump Receiver (Lower Body)
- \_\_\_ -SA Stabilizer Assembly (See Z1036)
- \_\_\_ -SD Longer Standpipe
- \_\_\_ -TS Top Secured with Slotted Screws
- \_\_\_ -VP Vandal-Proof Secured Top
- \_\_\_ -XJ Expansion Joint (See Z190) (Use with IP Type Outlets)

\* Regularly furnished unless otherwise specified.