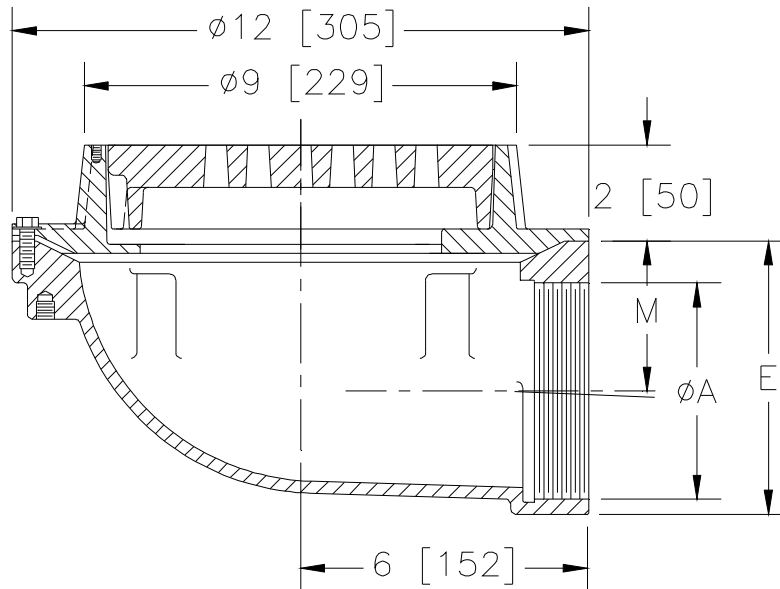




Z508-90

9[229]HEAVY-DUTY DRAIN

Dimensional Data (inches and [mm]) are Subject to Manufacturing Tolerances and Change Without Notice



A- Pipe Size In. [mm]	M	Approx. Wt. Lbs.[kg]	Grate Open Area Sq. In. [Sq. cm]
4 [102]	3-1/8 [79]	21 [10]	18 [116]

ENGINEERING SPECIFICATION: ZURN Z508-90
 9" [229mm] Diameter top drain, Dura-Coated cast iron body with side outlet, seepage pan and combination membrane flashing clamp and frame for heavy-duty cast iron deep flange slotted grate.

OPTIONS (Check/specify appropriate options)

PIPE SIZE 4 [102] (Specify size/type) OUTLET _____ IP Threaded 'E' BODY HT. DIM. 5-3/4 [146]

PREFIXES

- _____ Z D.C.C.I. Body and Top*
- _____ ZB D.C.C.I. Body with Polished Bronze Top (Add 3/16 [5] to 2 [51] Dim.)
- _____ ZN D.C.C.I. Body with Polished Nickel Bronze Top (Add 3/16 [5] to 2 [51] Dim.)

SUFFIXES

- _____ -AR Acid Resisting Epoxy Coated Cast Iron
- _____ -DG Duresist Grate
- _____ -G Galvanized Cast Iron
- _____ -HP Heel-Proof Grate
- _____ -P TrapPrimer Connection
- _____ -S Secondary Strainer
- _____ -SC Solid Cover with Lift Handle
- _____ -SG Solid Gasketed Cover with Lift Handle
- _____ -TS Top Secured with Slotted Screws
- _____ -VP Vandal-Proof Secured Top
- _____ -Y Sediment Bucket

* Regularly furnished unless otherwise specified.