



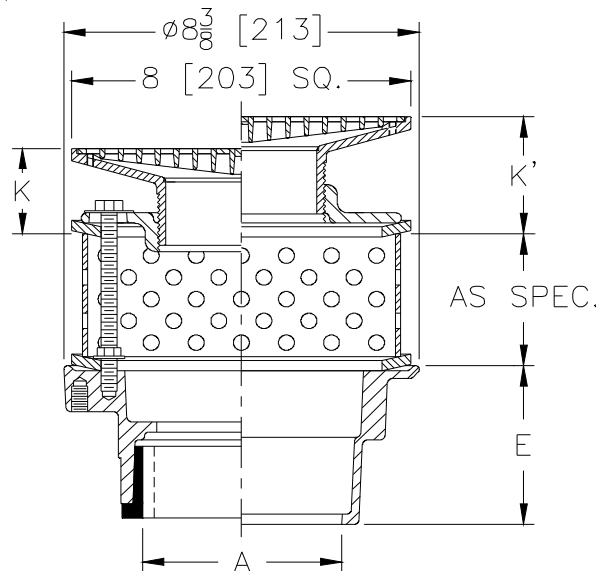
Z415S-96

BODY ASSEMBLY W/ "TYPE S" STRAINER STAINLESS STEEL PERFORATED EXTENSION

SPECIFICATION SHEET

TAG _____

Dimensional Data (inches and [mm]) are Subject to Manufacturing Tolerances and Change Without Notice



Dimensions In Inches [mm]						Approx. Wt. Lbs. [kg]	Strainer Open Area Sq. In. [cm ²]
A Pipe Size	Strainer Top Size	K		K'			
		Min.	Max.	Min.	Max.		
3,4,6 [76,102,152]	8 x 8 [203 x 203]	1-1/16 [27]	2-3/8 [60]	2-13/16 [71]	3-7/16 [87]	15 [7]	28 [181]

ENGINEERING SPECIFICATION: ZURNZN415S-96

Floor and shower drain, Dura-Coated cast iron body with bottom outlet, combination invertible membrane clamp and adjustable collar with seepage slots, "TYPE S" polished nickel bronze square heel-proof strainer, stainless steel perforated extension and secondary clamp collars.

OPTIONS (Check/specify appropriate options)

PIPE SIZE

3,4 [76,102]
3,4 [76,102]
3 [76]
4 [102]
6 [152]
3,4 [76,102]
3,4 [76,102]

(Specify size/type) OUTLET

_____ IC Inside Caulk
_____ IG Inside Gasket
_____ IP Threaded
_____ IP Threaded
_____ IP Threaded
_____ NH No-Hub
_____ NL Neo-Loc

'E' BODY HT. DIM.

3-7/8 [98]
3-7/8 [98]
2-5/8 [67]
2-7/8 [73]
2-3/4 [70]
3-7/8 [98]
3-3/4 [95]

PREFIXES

_____ ZB D.C.C.I. Body Assembly w/ Polished Bronze Top
_____ ZN D.C.C.I. Body Assembly w/ Polished Nickel Bronze Top*

SUFFIXES

_____ -AR Acid Resisting Epoxy Coated Cast Iron
_____ -CP Chrome-Plated Top
_____ -DC Debris Cover (Field Assembled)
_____ -DP Decorative Polished Top
_____ -EF 3/16 [5] Extension Frame
_____ -G Galvanized Cast Iron
_____ -P Trap Primer Connection (Specify 1/2 [13] or 3/4 [19])
_____ -PD Prom-Deck Top (8 x 8 [203 x 203] Only)
_____ -SR Stabilizer Ring

_____ -TC Neo-Loc Test Cap Gasket (3,4 [76,102] NL Outlets Only)
_____ -U 1 - 3 [25 - 76] High Extension Adapter
_____ -V Backwater Valve
_____ -VP Vandal-Proof Secured Top
_____ -Y Sediment Bucket
_____ -18 Leveling Ring (See Z400-18)
_____ -90 90° Threaded Side Outlet Body Assembly (2 [51], 3 [76] Only)

* Regularly furnished unless otherwise specified.

Zurn Industries, LLC | Specification Drainage Operation

1801 Pittsburgh Avenue, Erie, PA U.S.A. 16502 · Ph. 855-663-9876, Fax 814-454-7929

In Canada | Zurn Industries Limited

3544 Nashua Drive, Mississauga, Ontario L4V 1L2 · Ph. 905-405-8272, Fax 905-405-1292

www.zurn.com

Rev. A

Date: 09/24/15

C.N. No. 133213

Prod. | Dwg. No. Z415S-96