



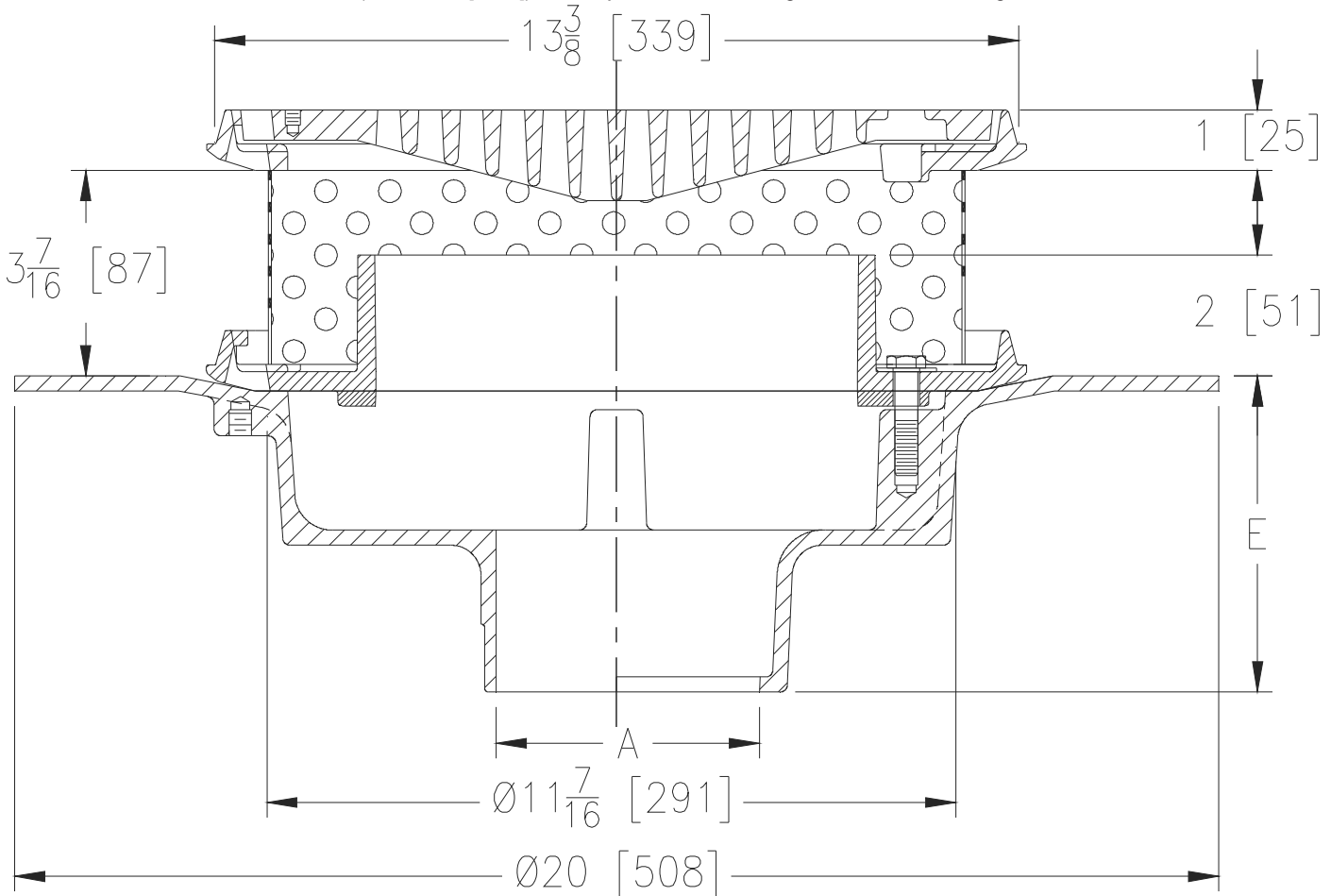
# Z107-109

20 [508] DIAMETER WIDE DECK ROOF DRAIN W/  
SUBSURFACE OVERFLOW, PERFORATED EXTENSION  
AND FLUSH GRATE

SPECIFICATION SHEET

TAG \_\_\_\_\_

Dimensional Data (inches and [ mm ]) are Subject to Manufacturing Tolerances and Change Without Notice



A Pipe Size In. [mm]	Approx Wt. Lbs. [kg]	Grate Open Area Sq. In. [cm <sup>2</sup> ]
2,3,4 [51,76,102]	49 [22]	32 [206]
6,8 [152, 203]	50 [23]	

**ENGINEERING SPECIFICATION: ZURN Z107-109**

20" [508mm] Diameter wide deck flange roof drain. Dura-Coated cast iron body with combination membrane base flashing clamp/gravel guard and with 2" [51mm] internal water dam, perforated extension, combination membrane flashing clamp / gravel guard and flush grate on top.

**OPTIONS** (Check/specify appropriate options)

**PIPE SIZE**

- 3,4,6 [76,102,152]
- 3,4 [76,102]
- 3,4,6,8 [76,102,152,203]

**PREFIXES**

- \_\_\_ Z D.C.C.I. Body and Grate\*

**SUFFIXES**

- \_\_\_ -AC Angular Underdeck Clamp
- \_\_\_ -AR Acid Resistant Epoxy Coated
- \_\_\_ -C Underdeck Clamp
- \_\_\_ -E Static Extension 1 [25] thru 4 [102] (Specify Ht.)

(Specify size/type) **OUTLET**

- \_\_\_ IC Inside Caulk
- \_\_\_ IP Threaded
- \_\_\_ NH No-Hub

**E BODY HT. DIM.**

- 5-1/4 [133]
- 5-1/4 [133]
- 5-1/4 [133]

- \_\_\_ -EA Adjustable Extension Assembly  
2 1/8 [54] thru 3 1/2 [89]
- \_\_\_ -G Galvanized Cast Iron  
(2 - 4 [51 - 102] NL Bottom Outlet Only)
- \_\_\_ -VP Vandal-Proof Secured Top
- \_\_\_ -XJ Vertical Expansion Joint (See Z190)

\* Regularly furnished unless otherwise specified.