



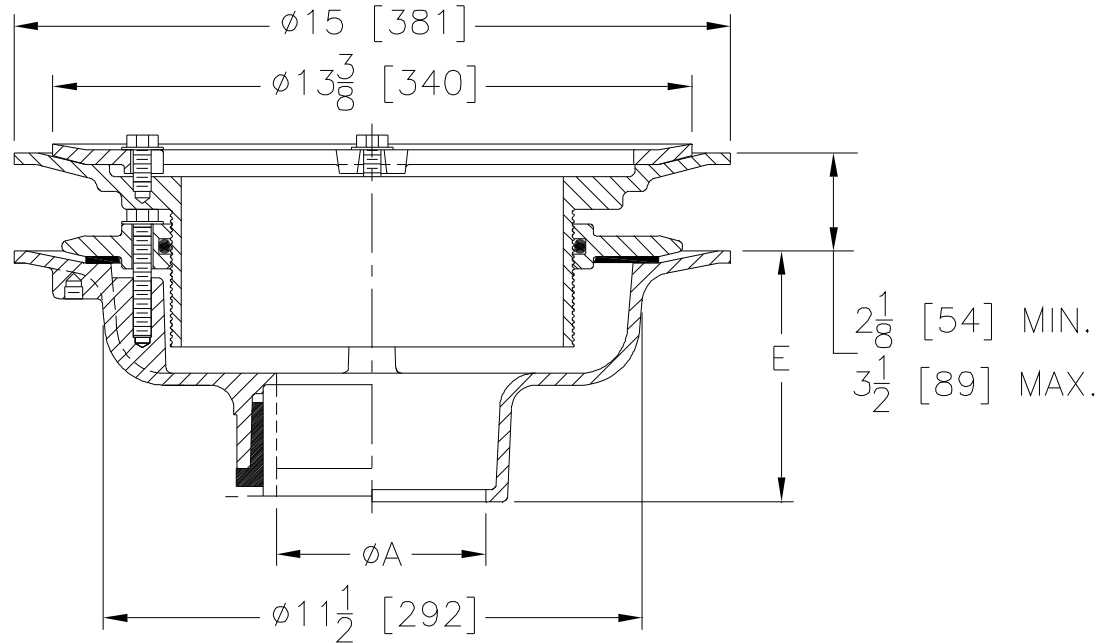
Z100-193

SPECIFICATION SHEET

15 [381] DIAMETER MAIN ROOF DRAIN W/ADJUSTABLE EXTENSION ASSEMBLY AND FLAT CLAMPING COLLAR

TAG _____

Dimensional Data (inches and [mm]) are Subject to Manufacturing Tolerances and Change Without Notice



A Pipe Size In.	Approx. Wt. Lbs. [kg]
2,3,4 [51,76,102]	23 [10]
5,6 [127,152]	24 [11]
8 [203]	25 [11]

ENGINEERING SPECIFICATION: ZURN Z100-193

15 [381] Diameter roof drain. Dura-Coated cast iron body with adjustable extension assembly and flat clamping collar.

OPTIONS (Check/specify appropriate options)

PIPE SIZE

- 2 thru 6,8 [51 thru 152,203]
- 2 thru 6,8 [51 thru 152,203]
- 2 thru 6,8 [51 thru 152,203]
- 2,3,4 [51,76,102]
- 6 [152]

(Specify size/type) OUTLET

- ___ IC Inside Caulk
- ___ IP Threaded
- ___ NH No-Hub
- ___ NL Neo-Loc
- ___ NL Neo-Loc

E BODY HT. DIM.

- 5 1/4 [133]
- 3 3/4 [95]
- 5 1/4 [133]
- 4 9/16 [116]
- 5 7/16 [112]

PREFIXES

- ___ Z D.C.C.I. Body

SUFFIXES

- ___ -AC Angular Underdeck Clamp
- ___ -AR Acid Resistant Epoxy Coated
- ___ -C Underdeck Clamp
- ___ -DE Deck Extension
- ___ -DP Top-Set® Deck Plate (Replaces both the -C and -R)
- ___ -DR Top-Set® Drain Riser
- ___ -EB Top-Set® Adjustable Extension Assembly
- ___ -G Galvanized Cast Iron
- ___ -R Roof Sump Receiver
- ___ -TC Neo-Loc Test Cap Gasket
(2 - 4 [51 - 102] NL Bottom Outlet Only)
- ___ -90 90° Threaded Side Outlet Body
(2 thru 6 [51 or 152])

REV. DATE: 8/14/08 C.N. NO. 98985

DWG. NO. P-15587 PRODUCT NO. Z100-193

*REGULARLY FURNISHED UNLESS OTHERWISE SPECIFIED

ZURN INDUSTRIES, LLC ♦ SPECIFICATION DRAINAGE OPERATION ♦ 1801 Pittsburgh Ave. ♦ Erie, PA 16514

Phone: 814/455-0921 ♦ Fax: 814/454-7929 ♦ World Wide Web: www.zurn.com

In Canada: ZURN INDUSTRIES LIMITED ♦ 3544 Nashua Drive ♦ Mississauga, Ontario L4V1L2 ♦ Phone: 905/405-8272 Fax: 905/405-1292