



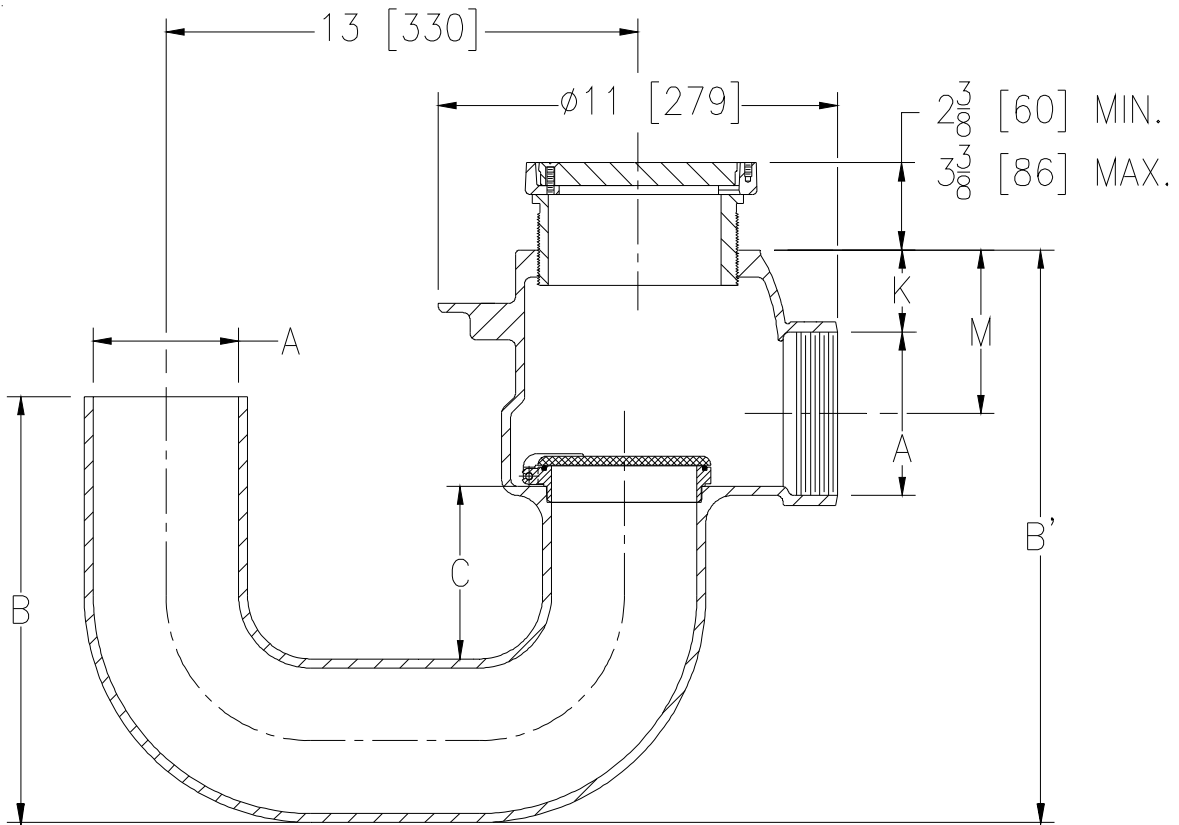
Z1005-V

DEEP SEAL TRAP W/ ADJUSTABLE COVER & BACKWATER VALVE

SPECIFICATION SHEET

TAG _____

Dimensional Data (inches and [mm]) are Subject to Manufacturing Tolerances and Change Without Notice



Dimensions in Inches						Approx. Wt. Lb. [kg]
A Pipe Size	B	B'	C	K	M	
3 [76]	12-1/2 [318]	13-1/2 [343]	4-3/4 [121]	1-1/4 [32]	4 [102]	75 [34]
4 [102]	9-1/4 [235]	15-3/4 [400]	5 [127]	1-3/4 [44]	4-1/2 [114]	85 [38]

ENGINEERING SPECIFICATION:

ZURN Z1005-V
 Deep Seal Trap, Dura-Coated cast iron body with No-Hub inlet for use with bottom outlet drain, female threaded outlet connection with anchoring flange and adjustable floor level gasketed secured cast iron cover and backwater valve.

CONNECTIONS (Check/specify appropriate options)

PIPE SIZE
 3-4 [76-102]

(Specify size/type) **CONNECTION**
 _____ IP Threaded

PREFIXES

- _____ Z D.C.C.I. Body and Top*
- _____ ZB D.C.C.I. Body w/ Polished Scoriated Bronze Top
- _____ ZN D.C.C.I. Body w/ Polished Scoriated Nickel Bronze Top

SUFFIXES

- _____ -C Clamping Collar
- _____ -G Galvanized Cast Iron Body

*REGULARLY FURNISHED UNLESS OTHERWISE SPECIFIED

REV.	DATE: 06/08/11	C.N. NO. 121388
DWG. NO. 306177	PRODUCT NO. Z1005-V	

ZURN INDUSTRIES, LLC. ♦ SPECIFICATION DRAINAGE OPERATION ♦ 1801 Pittsburgh Ave. ♦ Erie, PA 16514

Phone: 814/455-0921 ♦ Fax: 814/454-7929 ♦ World Wide Web: www.zurn.com

In Canada: ZURN INDUSTRIES LIMITED ♦ 3544 Nashua Drive ♦ Mississauga, Ontario L4V1L2 ♦ Phone: 905/405-8272 Fax: 905/405-1292