

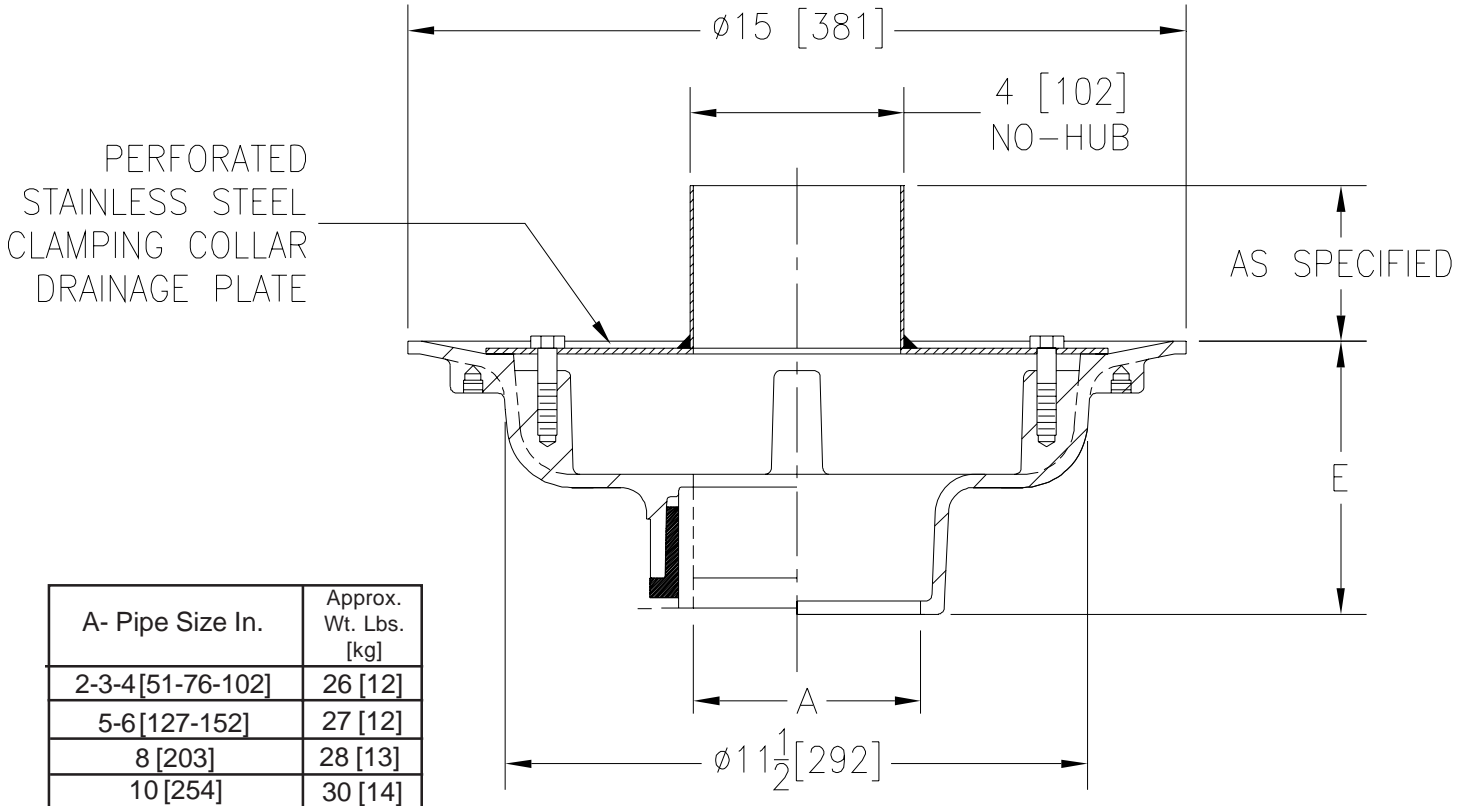


**Z100-125**  
**15 [381] DIAMETER MAIN ROOF DRAIN W/STAINLESS**  
**STEEL PERFORATED PLATE AND 4 [102] NO-HUB**  
**ADAPTER**

SPECIFICATION SHEET

TAG \_\_\_\_\_

Dimensional Data (inches and [ mm ]) are Subject to Manufacturing Tolerances and Change Without Notice



**ENGINEERING SPECIFICATION:** ZURN Z100-125 15 [381] Diameter roof drain. Dura-Coated cast iron body with stainless steel perforated plate with 4 [102] No-Hub adapter.

**OPTIONS** (Check/specify appropriate options)

**PIPE SIZE**

- 2 thru 6, 8 [51 thru 152,203]
- 2 thru 6, 8 [51 thru 152,203]
- 2 thru 6, 8,10 [51 thru 152,203,254]
- 2,3,4 [51,76,102]

(Specify size/type) **OUTLET**

- \_\_\_\_\_ IC Inside Caulk
- \_\_\_\_\_ IP Threaded
- \_\_\_\_\_ NH No-Hub
- \_\_\_\_\_ NL Neo-Loc

**E BODY HT. DIM.**

- 5 1/4 [133]
- 3 3/4 [95]
- 5 1/4 [133]
- 4 9/16 [116]

**PREFIXES**

- \_\_\_\_\_ Z D.C.C.I. Body\*

**SUFFIXES**

- |   |   |
|---|---|
| _____ -AC Angular Underdeck Clamp                           | _____ -R Roof Sump Receiver   |
| _____ -C Underdeck Clamp                                    | _____ -TC Neo-Loc Test Cap Gasket<br>(2 - 4 [51 - 102] NL Bottom Outlet Only) |
| _____ -DP Top-Set® Deck Plate (Replaces both the -C and -R) | _____ -XJ Vertical Expansion Joint (See Z190)                                 |
| _____ -DR Top-Set® Drain Riser                              | _____ -90 90° Threaded Side Outlet Body<br>(2 thru 6 [51 or 152])             |
| _____ -DX Dex-o-tex Flange                                  |   |
| _____ -G Galvanized Cast Iron                               |   |

**REV. A    DATE: 5/21/08    C.N. NO. 98529**

**DWG. NO. P-14243    PRODUCT NO. Z100-125**

\*REGULARLY FURNISHED UNLESS OTHERWISE SPECIFIED