



Z1800-12B-80

12 [305] DIAMETER ROUND INDUSTRIAL FLOOR DRAIN WITH BOTTOM DOME STRAINER AND CHAINED BUCKET

SPECIFICATION SHEET

TAG _____

Dimensional Data (inches and [mm]) are Subject to Manufacturing Tolerances and Change Without Notice

Engineering Specification: ZURN Z1800-12B-80

12" [305mm] Diameter x 6" [152mm] deep, 18 gage, all type 304 (CF8) stainless steel round industrial floor drain with loose set anti-tilt extra-heavy-duty perimeter drainage cover, reinforced top frame, perforated removable sediment bucket with lift handle, pre-sloped bottom sump, pre-pour stabilizing anchor tabs, bottom dome strainer and chain for securing bucket to grate.

Approx. Wt. Lbs. [kg]	Grate Open Area Sq. In. [cm ²]
17 [8]	9.7 [63]

Options (Check/specify appropriate options)

Pipe Size (ØA) (Specify size/type) **Outlet**
 3,4 [76,102] ___ BW Butt-Weld (Sch. 10)
 3,4 [76,102] ___ NH No-Hub

Prefixes

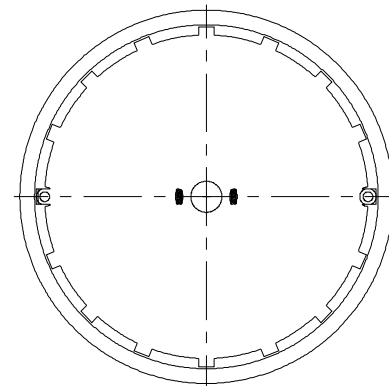
___ Z Type 304 (CF8) Stainless Steel*
 ___ ZM Type 316 (CF8M) Stainless Steel

Suffixes

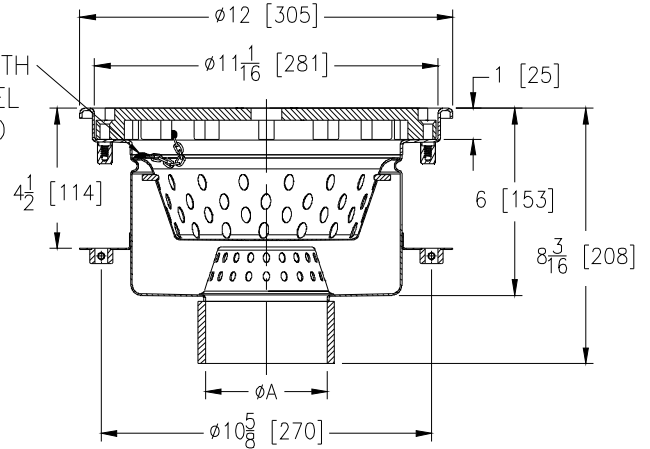
___ -KC Anchor Flange w/Seepage Holes and Clamp Collar
 ___ -P \varnothing 1/2 [13] Trap Primer Connection
 ___ -SA Stabilizer Assembly (Z1036) 3 [76] and 4 [102] outlets only
 ___ -TS Top Secured Grate
 ___ -VH Vacuum Handle (-GCX Cover Only)
 ___ -3PT 3 [76] Stainless Steel P-Trap
 ___ -4PT 4 [102] Stainless Steel P-Trap
 ___ -6PT 6 [152] Stainless Steel P-Trap

Grate Options

___ -PGM Medium-Duty Perforated Grate (27.3 Sq. In. [176 cm²] Open Area)
 ___ -SGH Heavy-Duty Slotted Grate (28.9 Sq. In. [186 cm²] Open Area)
 ___ -SGM Medium-Duty Slotted Grate (28.9 Sq. In. [186 cm²] Open Area)



24 [610] LENGTH STAINLESS STEEL CHAIN SECURED TO BUCKET AND GRATE.



* Regularly furnished unless otherwise specified.