

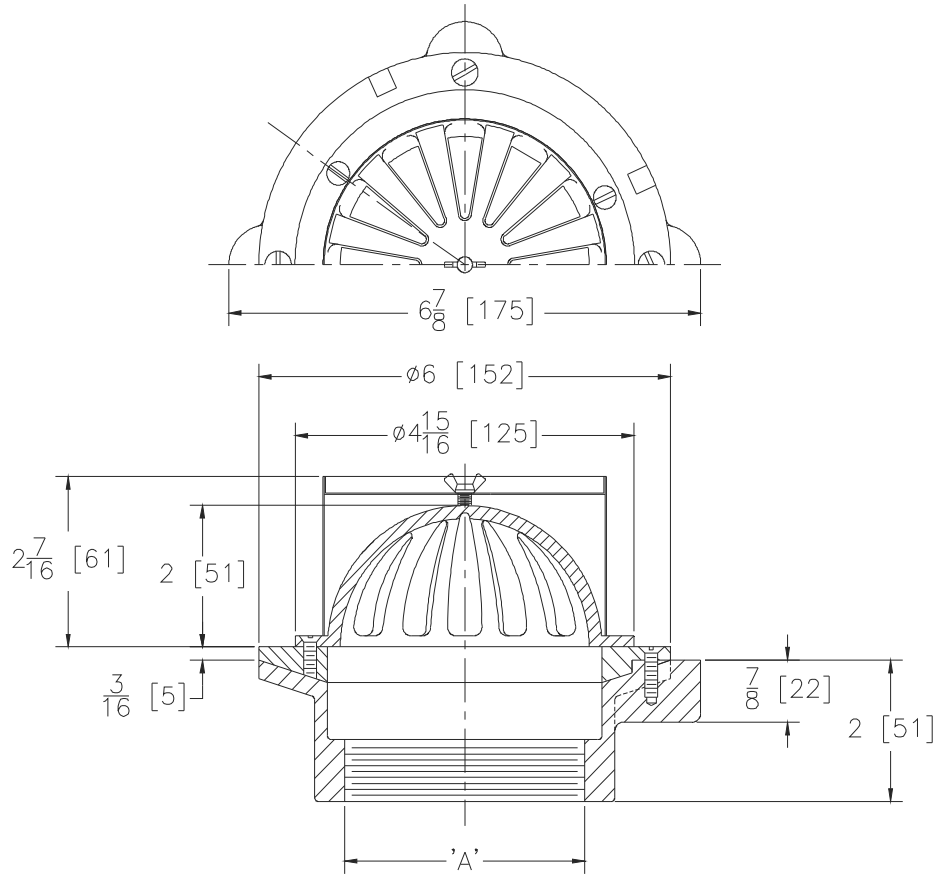


**Z352-79**  
**SMALL AREA PLANTING DRAIN**  
**WITH WING NUT SECURED SCREEN**

**SPECIFICATION SHEET**

**TAG \_\_\_\_\_**

Dimensional Data (inches and [ mm ]) are Subject to Manufacturing Tolerances and Change Without Notice



A-Pipe Size Inches [mm]	Approx. Wt. Lbs. [kg]	Dome Open Area Sq. In. [cm <sup>2</sup> ]
3 [76]	4 [2]	12 [77]
4 [102]	6 [3]	12 [77]

**ENGINEERING SPECIFICATION: ZURN ZRB352-79**  
 6" [152mm] Diameter Small Area Planting Drain, Dura-Coated cast iron body with bottom outlet, plain bronze membrane flashing clamp and dome strainer with stainless steel mesh screen over dome secured by wing head thumb screw.

**OPTIONS** (Check/specify appropriate options)

**PIPE SIZE**

3, 4, [76, 102]

(Specify size/type) **OUTLET**

\_\_\_ IP Threaded

**PREFICES**

\_\_\_ ZRB D.C.C.I. Body w/ Bronze Dome and Stainless Steel Mesh Screen\*

**SUFFIXES**

- \_\_\_ -G Galvanized Cast Iron
- \_\_\_ -VP Vandal-Proof Secured Top
- \_\_\_ -45 45° Side Outlet
- \_\_\_ -90 90° Side Outlet

\* Regularly furnished unless otherwise specified.