



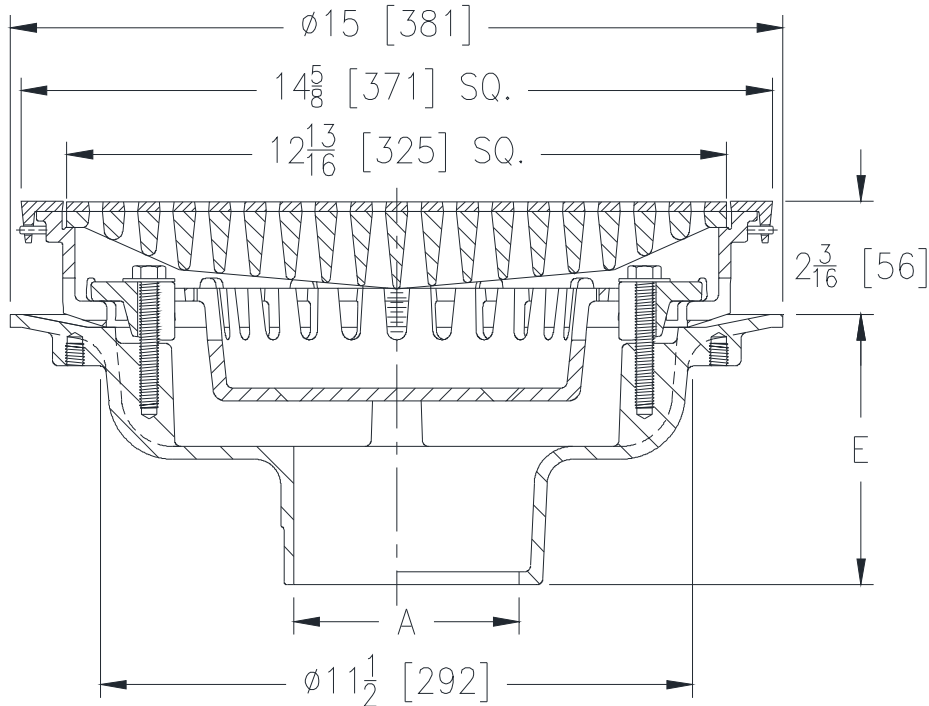
# ZB150-VP-Y

14-5/8 [371] SQUARE TOP PROM-DECK DRAIN W/ VANDAL PROOF SECURED HEEL-PROOF BRONZE GRATE, SEDIMENT BUCKET, AND ROTATABLE FRAME

SPECIFICATION SHEET

TAG \_\_\_\_\_

Dimensional Data (inches and [ mm ]) are Subject to Manufacturing Tolerances and Change Without Notice



| A Pipe Size in [mm] | Approx Wt. lbs [kg] | Grate Open Area in <sup>2</sup> [cm <sup>2</sup> ] |
|---------------------|---------------------|--|
| 2,3,4 [51,76,102]   | 54 [24]             | 44 [284]   |
| 6 [152]             |                     |  |
| 8 [203]             | 56 [25]             |  |

### ENGINEERING SPECIFICATION: ZURN ZB150-VP-Y

14-5/8" [371mm] Square top Prom-Deck drain, Dura-Coated cast iron body with rotatable square promenade frame with seepage openings, frame clamps, vandal-proof secured, heavy-duty, heel proof grate, and sediment bucket. Also supplied with bronze veneer for frame and grate.

**OPTIONS** (Check/specify appropriate options)

#### PIPE SIZE

- 2,3,4,6[51,76,102,152]
- 2,3,4,6, 8[51,76,102,152,203]
- 2,3,4,6, 8[51,76,102,152,203]
- 2,3,4[51,76,102]

(Specify size/type) **OUTLET**

- \_\_\_\_\_ IC Inside Caulk
- \_\_\_\_\_ IP Threaded
- \_\_\_\_\_ NH No-Hub
- \_\_\_\_\_ NL Neo-Loc

**E BODY HT. DIM.**

- 5-1/4 [133]
- 3-3/4 [95]
- 5-1/4 [133]
- 4-5/8 [117]

#### PREFIXES

- \_\_\_\_\_ ZB D.C.C.I. Body with Polished Bronze Top
- \_\_\_\_\_ ZN D.C.C.I. Body with Polished Nickel Bronze Top

#### SUFFIXES

- |   |  |
|---|--|
| _____ -AR Acid Resistant Epoxy Coated                                 | _____ -EB Top-Set® Adjustable Extension Assembly                               |
| _____ -C Underdeck Clamp  | _____ -G Galvanized Cast Iron  |
| _____ -DE Deck Extension (Includes Deck Plate -DP)                    | _____ -R Roof Sump Receiver  |
| _____ -DG Duresist Grate  | _____ -S Secondary Strainer  |
| _____ -DP Top-Set® Roof Deck Plate<br>(Replaces both -C and -R)       | _____ -SC Secondary Clamping Collar  |
| _____ -DR Top-Set® Drain Riser  | _____ -TC Neo-Loc Test Cap Gasket<br>(2,3,4 [51,76,102] NL Bottom Outlet Only) |
| _____ -DT Decorative Polished Top (ZN and ZB Only)                    | _____ -XJ Vertical Expansion Joint (See Z190)                                  |
| _____ -E Static Extension 1 [25] thru 4 [102] (Specify Ht.)           | _____ -85 Stainless Steel Perforated Extension                                 |
| _____ -EA Adjustable Extension Assembly<br>2-1/8 [54] thru 3-1/2 [89] | _____ -90 90° Threaded Side Outlet Body<br>(2,3,4,6 [51,76,102,152])           |

\* Regularly furnished unless otherwise specified.