



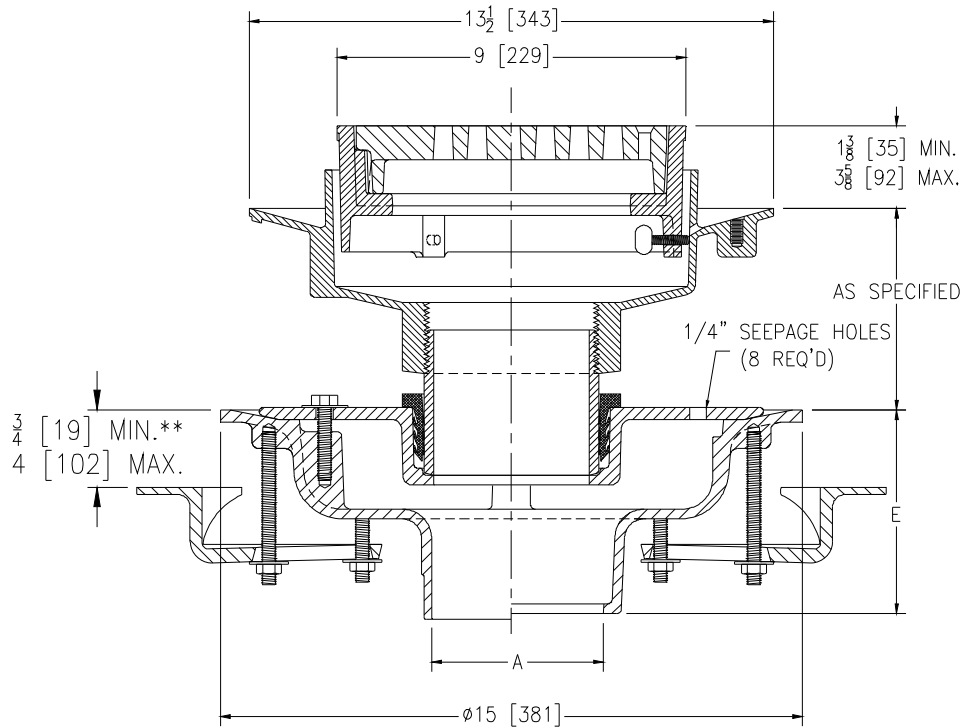
Z627-98

ISOLATION DECK ADJUSTABLE HEAVY-DUTY DRAIN WITH SEEPAGE HOLES AND UNDERDECK CLAMP

SPECIFICATION SHEET

TAG _____

Dimensional Data (inches and [mm]) are Subject to Manufacturing Tolerances and Change Without Notice



A Pipe Size	Approx. Wt. Lbs. Less Nipple [kg]	Grate Open Area Sq. In. [cm ²]
2, 3, 4 [51, 76, 102]	87 [39]	18 [116]
5, 6 [127, 152]		

ENGINEERING SPECIFICATION: ZURN Z627-98

Adjustable isolation deck drain, Dura-Coated cast iron upper and lower bodies, clamp collar with seepage holes, neoprene flex gasket, perforated isolation nipple and 8 [203] diameter round heavy-duty grate. Lower body to have underdeck clamp.

OPTIONS (Check/specify appropriate options)

PIPE SIZE

- 2 thru 6 [51 thru 152]
- 2 thru 4, 6 [51 thru 102, 152]
- 2 thru 6 [51 thru 152]
- 2 thru 6 [51 thru 152]
- 2 thru 4 [51 thru 102]

(Specify size/type) OUTLET

- ___ IC Inside Caulk
- ___ IG Inside Gasket
- ___ IP Threaded
- ___ NH No-Hub
- ___ NL Neo-Loc

'E' BODY HT. DIM.

- 5-1/4 [133]
- 5-1/4 [133]
- 3-3/4 [95]
- 5-1/4 [133]
- 4-5/8 [117]

PREFIXES

- ___ Z D.C.C.I. Body and Top*
- ___ ZB D.C.C.I. Body w/Polished Bronze Top (Add 3/16 [5] to 1-3/8 [35] - 3-5/8 [92] dim. & 3/4 [19] to 9 [229] dim.)
- ___ ZN D.C.C.I. Body w/Polished Nickel Bronze Top (Add 3/16 [5] to 1-3/8 [35] - 3-5/8 [92] dim. & 3/4 [19] to 9 [229] dim.)

SUFFIXES

- ___ -CC Clamp Collar (Upper Body)
- ___ -DG Duresist Grate
- ___ -F Extension (Upper Body)
- ___ -G Galvanized Cast Iron
- ___ -R Sump Receiver (Lower Body)
- ___ -SC Solid Cover
- ___ -TS Top Secured with Slotted Screws
- ___ -VP Vandal-Proof Secured Top
- ___ -Y Sediment Bucket (Upper Body)

* Regularly furnished unless otherwise specified.

Zurn Industries, LLC | Specification Drainage Operation

1801 Pittsburgh Avenue, Erie, PA U.S.A. 16502 · Ph. 855-663-9876, Fax 814-454-7929

In Canada | Zurn Industries Limited

3544 Nashua Drive, Mississauga, Ontario L4V 1L2 · Ph. 905-405-8272, Fax 905-405-1292

www.zurn.com

Rev. -

Date: 09/23/14

C.N. No. 131630

Prod. | Dwg. No. Z627-98