



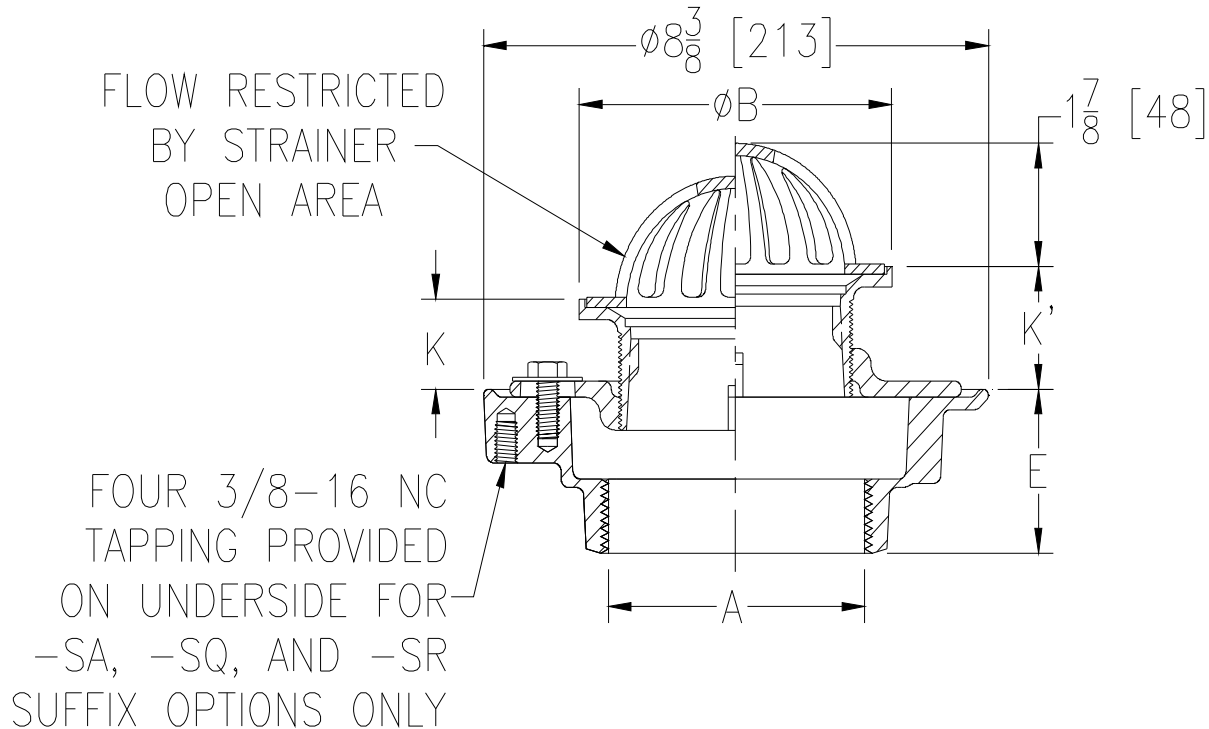
Z415G-78

6 IP BODY ASSEMBLY W/ "TYPE G" STRAINER

SPECIFICATION SHEET

TAG _____

Dimensional Data (inches and [mm]) are Subject to Manufacturing Tolerances and Change Without Notice



Dimensions In Inches						Approx. Wt. Lbs. [kg]	Strainer Open Area Sq. In. [cm ²]
A - Pipe Size	B Strainer Dia.	K		K'			
		Min.	Max.	Min.	Max.		
6 [152]	5 [127]	1 [25]	1-1/2 [38]	1-3/32 [28]	2-1/4 [57]	11 [5]	10 [65]
6 [152]	6 [152]	1 [25]	1-25/32 [45]	1-13/32 [36]	2-17/32 [64]	13 [6]	12 [77]

ENGINEERING SPECIFICATION: ZURN ZN415G-78

Floor and shower drain, Dura-Coated cast iron body with 6 IP bottom outlet, combination invertible membrane clamp and adjustable collar with seepage slots and "TYPE G" polished nickel bronze strainer with dome grate.

OPTIONS (Check/specify appropriate options)

PIPE SIZE

6 [152]

(Specify size/type) **OUTLET**

____ IP Threaded

'E' BODY HT. DIM.

2-3/4 [70]

PREFIXES

- ____ ZB D.C.C.I. Body Assembly w/ Polished Bronze Top
- ____ ZN D.C.C.I. Body Assembly w/ Polished Nickel Bronze Top*

SUFFIXES

- ____ -AR Acid Resisting Epoxy Coated Cast Iron
- ____ -BS Bronze Mesh Screen Over Dome
- ____ -CP Chrome-Plated Bronze Top
- ____ -G Galvanized Cast Iron
- ____ -P Trap Primer Connection (Specify 1/2 [13] or 3/4 [19])
- ____ -SA Stabilizer Assembly (See Z1035)
- ____ -SQ Stabilizer Q-Deck (See Z1035-Q)
- ____ -SR Stabilizer Ring
- ____ -SS Stainless Steel Mesh Screen Over Dome
- ____ -U 1 thru 3 [25 thru 76] High Extension Adapter
- ____ -V Backwater Valve
- ____ -VP Vandal-Proof Secured Top
- ____ -Y Sediment Bucket
- ____ -18 Leveling Ring (See Z400-18)

*REGULARLY FURNISHED UNLESS OTHERWISE SPECIFIED

REV.	DATE: 07/15/11	C.N. NO. 121610
DWG. NO. 306714	PRODUCT NO. Z415G-78	

ZURN INDUSTRIES, LLC ♦ SPECIFICATION DRAINAGE OPERATION ♦ 1801 Pittsburgh Ave. ♦ Erie, PA 16514

Phone: 814-455-0921 ♦ Fax: 814-454-7929 ♦ World Wide Web: www.zurn.com

In Canada: ZURN INDUSTRIES LIMITED ♦ 3544 Nashua Drive ♦ Mississauga, Ontario L4V1L2 ♦ Phone: 905-405-8272 Fax: 905-405-1292