

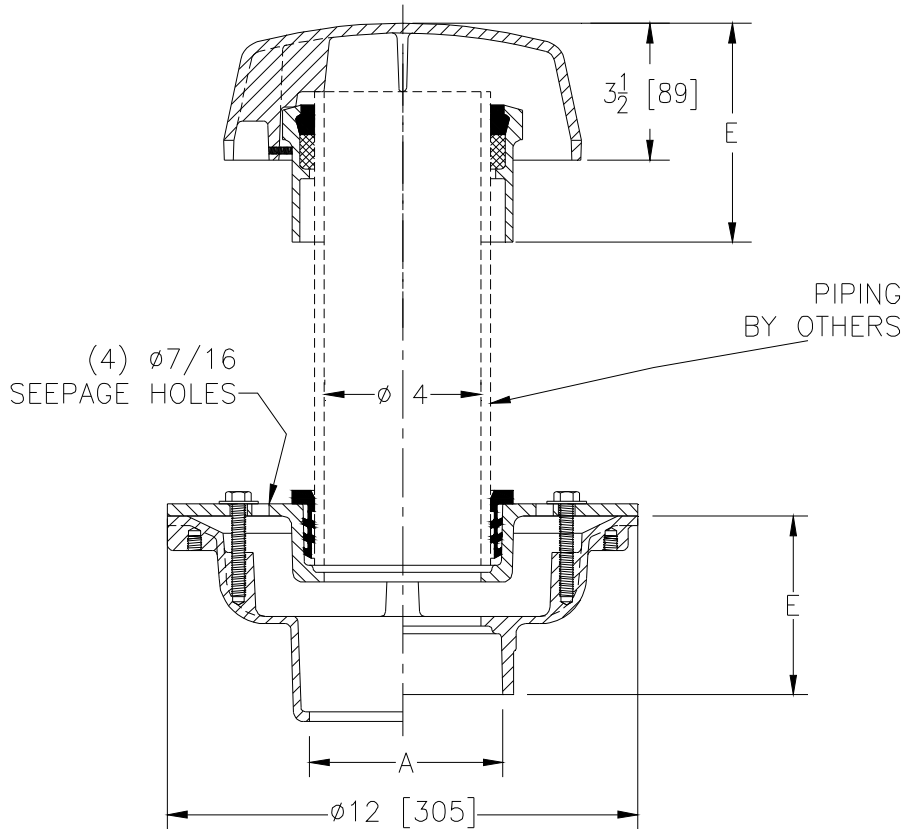


**Z624-98
ISOLATION DECK DRAIN
W/ VENT CAP**

SPECIFICATION SHEET

TAG _____

Dimensional Data (inches and [mm]) are Subject to Manufacturing Tolerances and Change Without Notice



A Pipe Size In.	Approx. Wt. Lbs. [kg]	Grate Open Area Sq. In. [cm ²]
2-3-4-6[51-76-102-152]	22 [10]	2:1

ENGINEERING SPECIFICATION: ZURN Z624-98

Floating slab drain, Dura-coated cast iron body, clamp collar with weep holes, neoprene flex gasket, and vandal proof vent cap.

OPTIONS (Check/specify appropriate options)

PIPE SIZE

- 2-3-4-6[51-76-102-152]
- 2-3-4-6[51-76-102-152]
- 2-3-4[51-76-102]
- 2-3-4[51-76-102]

(Specify size/type) **OUTLET**

- _____ IC Inside Caulk
- _____ IP Threaded
- _____ NH No-Hub
- _____ NL Neo-Loc

E BODY HT. DIM.

- 5 1/4 [133]
- 3 3/4 [95]
- 5 1/4 [133]
- 4 5/8 [117]

PREFIXES

- ___ Z D.C.C.I. Body and Dome Cap*

SUFFIXES

- ___ -AR Acid Resistant Epoxy Coated Finish
- ___ -C Underdeck Clamp (Lower Body)
- ___ -G Galvanized Cast Iron
- ___ -R Roof Sump Receiver (Lower Body)
- ___ -90 90° Threaded Side Outlet Body (Lower Body)

*REGULARLY FURNISHED UNLESS OTHERWISE SPECIFIED

REV.	DATE: 5/11/11	C.N. NO. 121279
DWG. NO. 305798		PRODUCT NO. Z624-98