



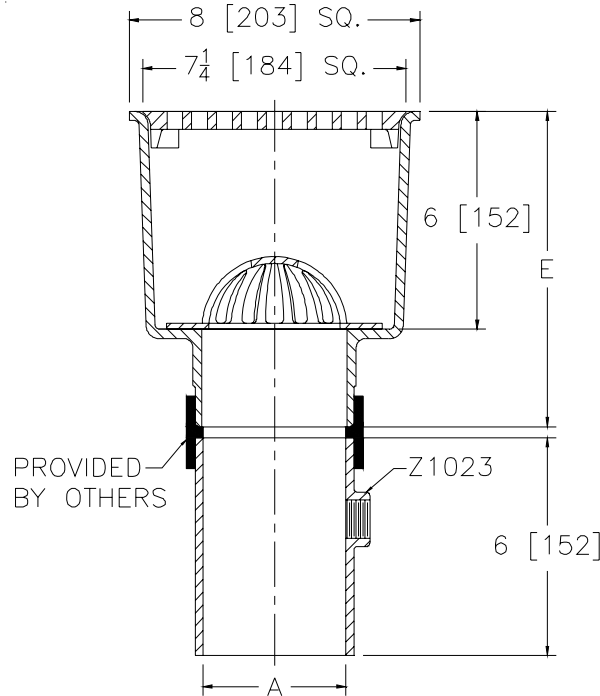
# Z1910-P

SPECIFICATION SHEET

## 8 X 8 [203 X 203] A.R.E. SANI-FLOR RECEPTOR 6 [152] SUMP DEPTH W/ 1/2 [13] TRAP PRIMER CONNECTION

TAG \_\_\_\_\_

Dimensional Data (inches and [ mm ]) are Subject to Manufacturing Tolerances and Change Without Notice



A- Pipe Size In.	Approx Wt. Lbs. [kg]	Grate Open Area Sq. In. [cm <sup>2</sup> ]
2-3-4 [51-76-102]	25 [11]	19 [123]

### ENGINEERING SPECIFICATION: ZURN Z1910-P

Sani-Flor Receptor 8 x 8 x 6 [203 x 203 x 152] deep cast iron body and square, medium-duty grate with 7/16 [11] slotted openings with white acid resisting porcelain enamel interior and top, 1/2 [13] trap primer connection (Z1023), complete with white ABS anti-splash interior bottom dome strainer.

### OPTIONS (Check/specify appropriate options)

#### PIPE SIZE

2-3-4 [51-76-102]

#### (Specify size/type) OUTLET

\_\_\_ NH No-Hub

#### 'E' BODY HT. DIMENSION

Z 8-5/8 [219]  
ZN 9-1/8 [232]

#### PREFIXES

- \_\_\_ Z Cast Iron Body with White A.R.E. Interior\*
- \_\_\_ ZN Cast Iron Body with White A.R.E. Interior, 8-9/16 [217] Square N.B. Frame and Full Grate with 5/16 [8] Square Openings (Add 1/2 [13] to 8 [203] and 'E' Dim.)

#### SUFFIXES

- \_\_\_ -DX Dex-O-Tex Flange (ZN Only)
- \_\_\_ -K Anchor Flange
- \_\_\_ -KC Anchor Flange with Seepage Holes and Clamp Collar
- \_\_\_ -LD Less Bottom Dome Strainer
- \_\_\_ -TC Neo-Loc Test Cap Gasket (2 - 4 [51 - 102] NL Bottom Outlet Only)
- \_\_\_ -1 Less Grate
- \_\_\_ -2 1/2 Grate
- \_\_\_ -3 3/4 Grate
- \_\_\_ -4 Full Grate with Square Center Opening
- \_\_\_ -5 Grate w/ 4 [102] Dia. x 3-3/4 [95] High Funnel
- \_\_\_ -6 Grate w/ 6 [152] Dia. x 6 [152] High Funnel
- \_\_\_ -7 Grate w/ 6-3/4 x 3 x 1 [171 x 76 x 25] High Oval Funnel
- \_\_\_ -8 Grate w/ 8-7/8 x 3-5/8 x 3-3/4 [225 x 92 x 95] High Oval Funnel
- \_\_\_ -11 Vandal-Proof Secured Grate (ZN Only)
- \_\_\_ -12 Depressed Aluminum Grate (ZN Only)
- \_\_\_ -15 Solid Loose Set Cover
- \_\_\_ -16 1/2 Solid Loose Set Cover
- \_\_\_ -17 3/4 Solid Loose Set Cover
- \_\_\_ -18 Solid Loose Set Cover with Square Center Opening
- \_\_\_ -19 Full Hinged Grate (ZN Only)
- \_\_\_ -23 Aluminum Bucket
- \_\_\_ -25 White A.R.C. Bucket
- \_\_\_ -31 Stainless Steel Mesh Liner for Bucket
- \_\_\_ -32 Aluminum Dome Strainer
- \_\_\_ -33 White A.R.C. Anti-Splash Bottom Dome Strainer

\*REGULARLY FURNISHED UNLESS OTHERWISE SPECIFIED

REV. A	DATE: 09/16/11	C.N. NO. 122151
DWG. NO. 59988	PRODUCT NO. Z1910-P	

ZURN INDUSTRIES, LLC. ♦ SPECIFICATION DRAINAGE OPERATION ♦ 1801 Pittsburgh Ave. ♦ Erie, PA 16514

Phone: 814/455-0921 ♦ Fax: 814/454-7929 ♦ World Wide Web: www.zurn.com

In Canada: ZURN INDUSTRIES LIMITED ♦ 3544 Nashua Drive ♦ Mississauga, Ontario L4V1L2 ♦ Phone: 905/405-8272 Fax: 905/405-1292