



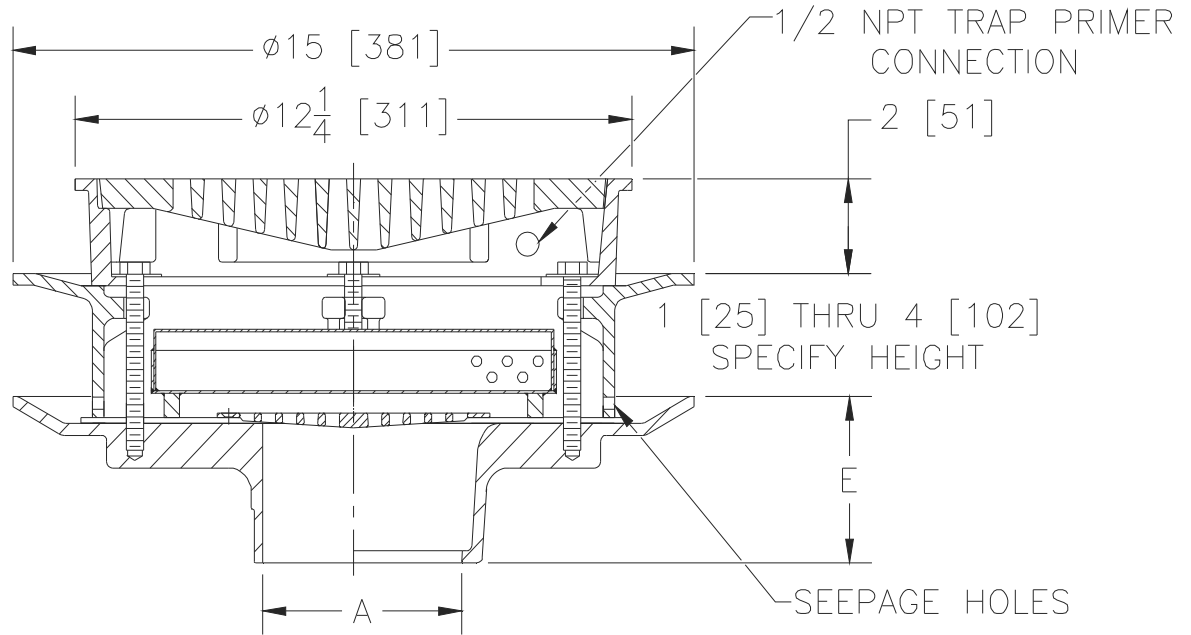
Z509-88

12 [305] HEAVY DUTY DRAIN WITH EXTENSION FRAME, TRAP PRIMER CONNECTION, SEDIMENT BUCKET, AND SECONDARY STRAINER

SPECIFICATION SHEET

TAG _____

Dimensional Data (inches and [mm]) are Subject to Manufacturing Tolerances and Change Without Notice



A- Pipe Size In.	Approx. Wt. Lbs. [kg]	Grate Open Area Sq. In. [cm ²]
3-4-6 [75-100-150]	38 [17]	30 [194]

ENGINEERING SPECIFICATION: ZURN Z509-88

12 [305] Diameter top drain. Dura-Coated cast iron body with bottom outlet, extension with seepage holes, seepage pan and combination membrane flashing clamp, frame with trap primer for heavy duty tractor grate, sediment bucket, and secondary strainer.

OPTIONS (Check/specify appropriate options)

PIPE SIZE

3, 4, 6 [75, 100, 150]
3, 4, 6 [75, 100, 150]
3, 4, 6 [75, 100, 150]
3, 4, 6 [75, 100, 150]
3, 4 [75, 100]

(Specify size/type) OUTLET

___ IC Inside Caulk
___ IG Inside Caulk w/Sealtrol Gskt.
___ IP Threaded
___ NH No-Hub
___ NL Neo-Loc

'E' BODY HT. DIM.

3 1/2 [89]
3 1/2 [89]
3 1/2 [89]
3 1/2 [89]
2 5/8 [67]

PREFIXES

___ Z D.C.C.I. Body and Grate*
___ ZB D.C.C.I. Body with Polished Bronze Grate (Add 3/16 [5] to 1 3/4 [44] Dim.)
___ ZN D.C.C.I. Body with Polished Nickel Bronze Grate (Add 3/16 [5] to 1 3/4 [44] Dim.)

SUFFIXES

___ -AR Acid Resisting Epoxy Coated Cast Iron
___ -DG Duresist Grate
___ -G Galvanized Cast Iron
___ -PH Packing House Grate With 3/8 [9] dia. Holes (Z only)
___ -T Square Top
___ -TS Top Secured With Slotted Screws
___ -V Backwater Valve (See Z-1099)
___ -VP Vandal Proof Secured Top

REV.	DATE: 01/08/13	C.N. NO. 128639
DWG. NO. 311182		PRODUCT NO. Z509-88

*REGULARLY FURNISHED UNLESS OTHERWISE SPECIFIED

ZURN INDUSTRIES, LLC. ♦ SPECIFICATION DRAINAGE OPERATION ♦ 1801 Pittsburgh Ave. ♦ Erie, PA 16514

Phone: 814/455-0921 ♦ Fax: 814/454-7929 ♦ World Wide Web: www.zurn.com

In Canada: ZURN INDUSTRIES LIMITED ♦ 3544 Nashua Drive ♦ Mississauga, Ontario L4V1L2 ♦ Phone: 905/405-8272 Fax: 905/405-1292