



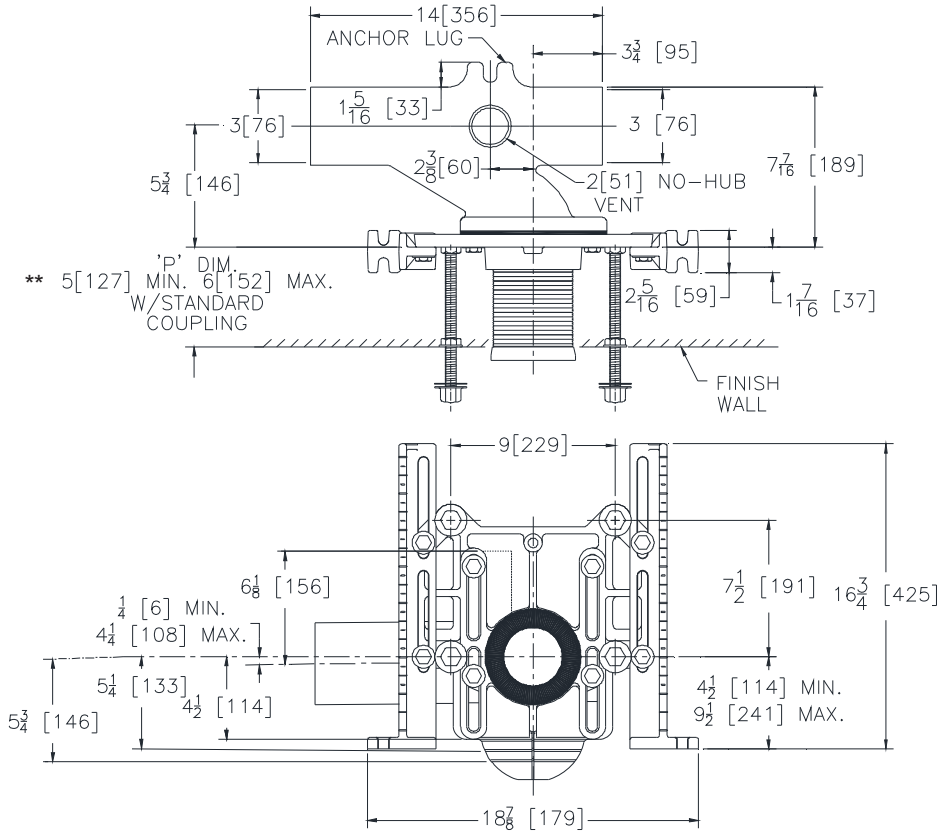
Z1203-N3

ADJUSTABLE HORIZONTAL SIPHON JET NO-HUB

SPECIFICATION SHEET

TAG _____

Dimensional Data (inches and [mm]) are Subject to Manufacturing Tolerances and Change Without Notice



Product Number	Approx. Wt. Lbs. [kg]
Z1203-NL3	54 [23]
Z1203-NR3	

Note:

1. Min. 'P' Dim. Obtainable = 2 [51] with cut standard coupling
2. Feet bolted to floor using min. 1/2 [13] dia. bolts and back slots on carrier feet.
3. Back anchor foot required for secure installation.

ENGINEERING SPECIFICATION: ZURNZ1203-N(3)

Adjustable, horizontal siphon jet water closet "Rigid System" with 3" [76mm] No-Hub connections. Complete with Dura-Coated cast iron right hand or left hand main fitting, with 2" [51mm] vent, adjustable gasketed face plate, universal floor mounted foot supports, corrosion resistant adjustable ABS coupling with integral test cap, fixture bolts, trim, stud protectors, rear anchor tie down and bonded "Neo-Seal" gasket.

OPTIONS (Check/specify appropriate options)

- _____ Z1203-NR3 3 [76] No-Hub Right Hand Inlet with Flow to Left
- _____ Z1203-NL3 3 [76] No-Hub Left Hand Inlet with Flow to Right

PREFIXES

- _____ Z D.C.C.I. System with Zurn "ZZ" Adjustable Coupling*
- _____ ZQ D.C.C.I. System with Non-Adjustable Coupling

SUFFIXES

- _____ -A Auxiliary Support Assembly (for 'P' Dim. Greater Than 18 [457])
- _____ -B Blowout Type Fixture Support
- _____ -CC Corrosion Resistant 6 [152] Long Cast Iron Coupling
- _____ -CL Coupling Length Other Than Standard 6 [152] (Specify Length Required)
- _____ -F Floor Mounted Back Outlet Closet Connection
- _____ -M Auxiliary Foot Support (for 'P' Dim. 10 - 18 [254 - 457])
- _____ -PF Pre-Fab Foot
- _____ -PS Pre-Fab Slotted Foot
- _____ -RYK Unistrut Pre-Fab Foot
- _____ -VP Vandal Proof Trim
- _____ -45 Finishing Frame for Siphon Jet Closet (See Z1200-FINFRAME-SJ)
- _____ -50 Flush Valve Supply Support for Water Closets (See Z1200-SPLY-SPRT-WC)

* Regularly furnished unless otherwise specified.