



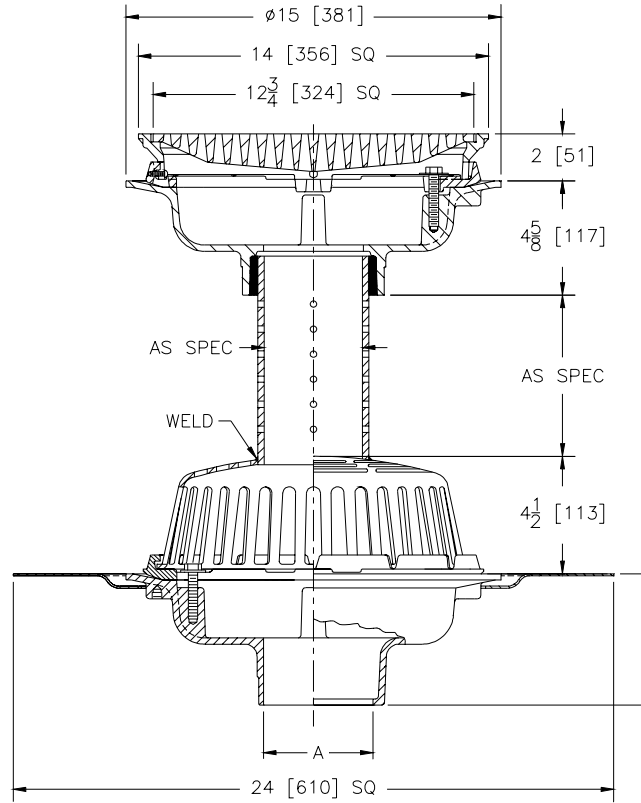
Z-150-114

14 [356] TOP PROM-DECK DRAIN WITH HEEL-PROOF GRATE

SPECIFICATION SHEET

TAG _____

Dimensional Data (inches and [mm]) are Subject to Manufacturing Tolerances and Changes Without Notice



A- Pipe Size In.	Approx. Wt. Lbs. [kg]	Grate Open Area Sq. In. [cm ²]
2-3-4 [50-75-100]	108 [49]	44 [284]
5-6 [125-150]		
8 [200]	103 [47]	

ENGINEERING SPECIFICATION: ZURN Z-150-114 14 [356] Square Top Prom-Deck drain, Dura-Coated cast iron upper and lower bodies, with bottom outlet, lower body with roof sump receiver, combination membrane flashing clamp/gravel guard, and low silhouette cast iron dome, with perforated standpipe. Upper body with clamping collar, promenade frame, and heavy duty heel proof grate.

OPTIONS (Check/specify appropriate options)

PIPE SIZE

- 2 thru 6, 8 [50 thru 150, 200]
- 2 thru 4, 6 [50 thru 100, 150]
- 2 thru 6, 8 [50 thru 150, 200]
- 2 thru 6, 8 [50 thru 150, 200]
- 2 thru 4 [50 thru 100]

(Specify size/type) **OUTLET**

- ___ IC Inside Caulk
- ___ IG Inside Caulk w/Sealtrol Gskt.
- ___ IP Threaded
- ___ NH No-Hub
- ___ NL Neo-Loc

E BODY HT. DIM.

- 5 1/4 [133]
- 5 1/4 [133]
- 3 3/4 [95]
- 5 1/4 [133]
- 4 5/8 [117]

PREFIXES

- ___ Z- D.C.C.I. Body with Top*
- ___ ZB- D.C.C.I. Body with Polished Bronze Top (Add 3/16 [5] to 2 [51] Dim & 3/8 [10] to 14 [356] Dim.)
- ___ ZN- D.C.C.I. Body with Polished Nickel Bronze Top (Add 3/16 [5] to 2 [51] Dim. & 3/8 [10] to 14 [356] Dim.)

SUFFIXES

- ___ -AR Acid Resistant Epoxy Coated
- ___ -C Underdeck Clamp
- ___ -DG Duresist Grate
- ___ -G Galvanized Cast Iron
- ___ -TS Top Secured with Slotted Screws
- ___ -VP Vandal Proof Secured Top
- ___ -XJ Vertical Expansion Joint (See Z-190)

*REGULARLY FURNISHED UNLESS OTHERWISE SPECIFIED

REV.	DATE: 2/15/01	C.N. NO. 87294
DWG. NO. P-14820		PRODUCT NO. Z-150-114