



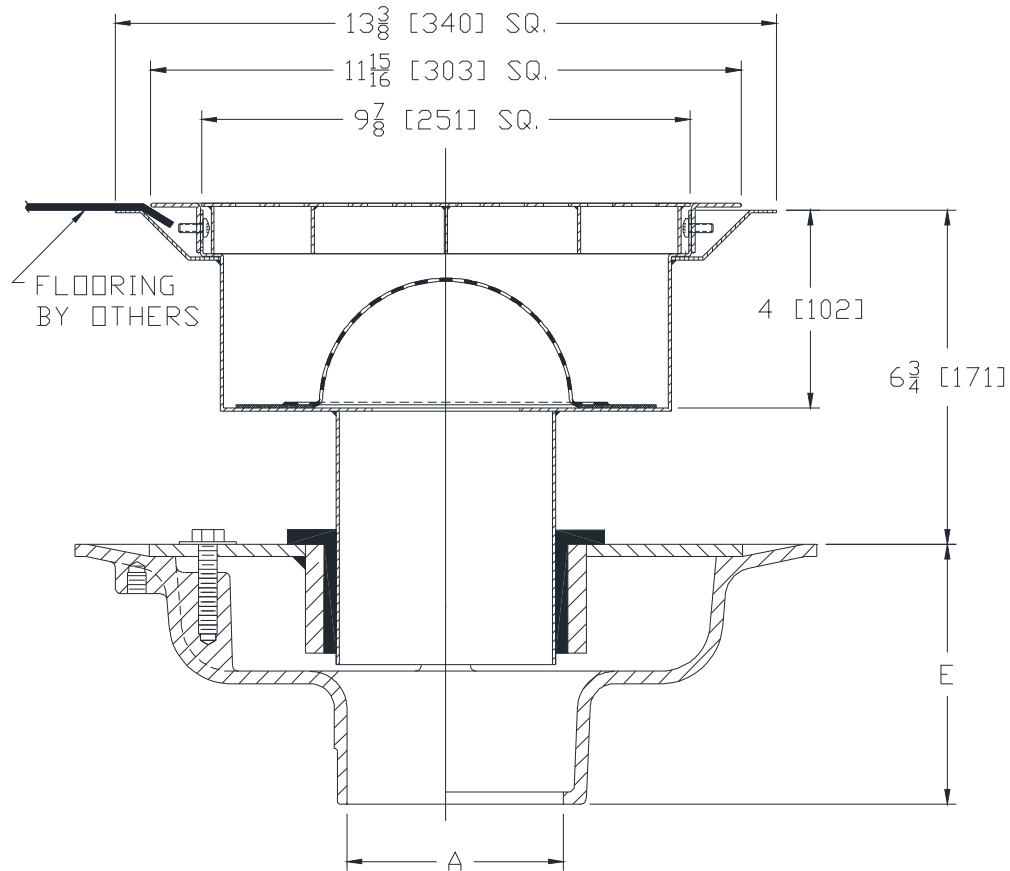
Z624-108

ISOLATION DECK DRAIN W/ 13-3/8 [340] SQUARE
SANI-FLOR RECEPTOR

SPECIFICATION SHEET

TAG _____

Dimensional Data (inches and [mm]) are Subject to Manufacturing Tolerances and Change Without Notice



A- Pipe Size In.	Approx. Wt. Lbs. [Kg]	Grate Open Area Sq. In. [cm ²]
2-3-4 [51-76-102]	85 [39]	25 [161]
5-6 [127-152]		

ENGINEERING SPECIFICATION: ZURN Z624-108

Type 304 (CF8) fabricated stainless steel light duty Sani-Flor receptor with integral floor clamping frame and non-tilt loose set full grate. Dura-Coated cast iron lower body, clamp collar, neoprene flex gasket and isolation nipple.

OPTIONS (Check/specify appropriate options)

PIPE SIZE (Specify type)

- _____ 2-3-4-5-6 [51-76-102-127-152]
- _____ 2-3-4-6 [51-76-102-152]
- _____ 2-3-4-5-6 [51-76-102-127-152]
- _____ 2-3-4-5-6 [51-76-102-127-152]
- _____ 2-3-4 [51-76-102]

PIPE SIZE (Specify size)

- _____ IC Inside Caulk
- _____ IG Inside Caulk w/ Sealtrol Gskt.
- _____ IP Threaded
- _____ NH No-Hub
- _____ NL Neo-Loc

'E' BODY HT. DIMENSION

- 5-1/4 [133]
- 5-1/4 [133]
- 3-3/4 [95]
- 5-1/4 [133]
- 4-5/8 [117]

PREFIXES

- _____ Z Type 304 (CF8) Stainless Steel Body*
- _____ ZM Type 316 (CF8M) Stainless Steel

SUFFIXES

- _____ -C Underdeck Clamp (Lower Body)
- _____ -R Sump Receiver (Lower Body)

* Regularly furnished unless otherwise specified.