



Z1800-8B-77

7-9/16 [192] DIAMETER ROUND INDUSTRIAL FLOOR DRAIN W/ SOLID RIM

SPECIFICATION SHEET

TAG _____

Dimensional Data (inches and [mm]) are Subject to Manufacturing Tolerances and Change Without Notice

Engineering Specification: ZURN Z1800-8B-77

8" [192mm] Diameter x 6" [152mm] deep, 18 gage, all type 304 (CF8) stainless steel round industrial floor drain with loose set anti-tilt heavy-duty perimeter drainage cover, reinforced top frame with solid rim for partially recessed installation, perforated removable sediment bucket with lift handle, pre-sloped bottom sump, and pre-pour stabilizing anchor tabs.

Approx. Wt. Lbs. [kg]	Grate Open Area Sq. In. [cm ²]
9 [4]	6.1 [39]

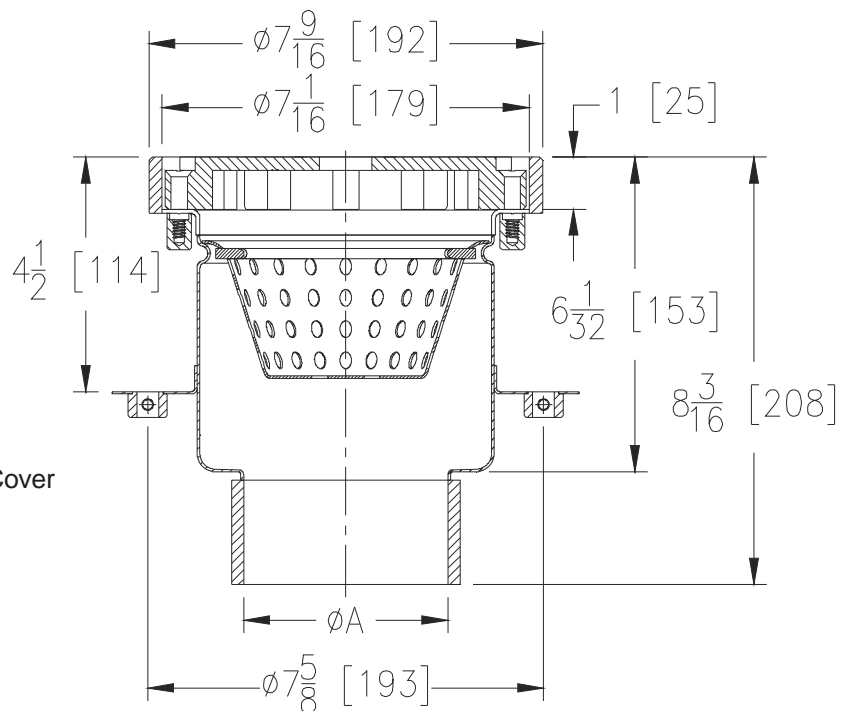
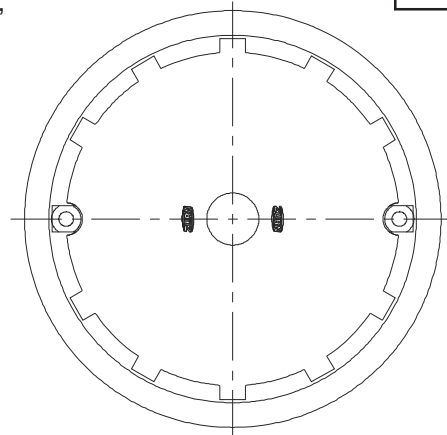
Options (Check/specify appropriate options)

Pipe Size (ØA) (Specify size/type) **Outlet**
 2,3,4 [51,76,102] ___ BW Butt-Weld (Sch. 10)
 2,3,4 [51,76,102] ___ NH No-Hub

Prefixes
 ___ Z Type 304 (CF8) Stainless Steel*
 ___ ZM Type 316 (CF8M) Stainless Steel

Suffixes
 ___ -B Bell Trap/Solid Sediment Bucket
 ___ -KC Anchor Flange w/Seepage Holes and Clamp Collar
 ___ -P ø1/2 [13] Trap Primer Connection
 ___ -SA Stabilizer Assembly (Z1035)
 ___ -SQ Stabilizer Q-Deck (Z1035-Q)
 ___ -TS Top Secured Grate
 ___ -VH Vacuum Handle (-GCH Cover Only)
 ___ -2PT 2 [51] Stainless Steel P-Trap
 ___ -3PT 3 [76] Stainless Steel P-Trap
 ___ -4PT 4 [102] Stainless Steel P-Trap
 ___ -1 Less Grate

Grate Options
 ___ -GCH Heavy-Duty Gas Tight Solid Cover
 ___ -PCX Extra-Heavy-Duty Perimeter Drainage Cover (6.1 Sq. In. [39 cm²] Open Area)
 ___ -PGM Medium-Duty Perforated Grate (9.9 Sq. In. [64 cm²] Open Area)
 ___ -SGH Heavy-Duty Slotted Grate (11.2 Sq. In. [72 cm²] Open Area)
 ___ -SGM Medium-Duty Slotted Grate (11.2 Sq. In. [72 cm²] Open Area)



* Regularly furnished unless otherwise specified.