



ZN1202-N4-76

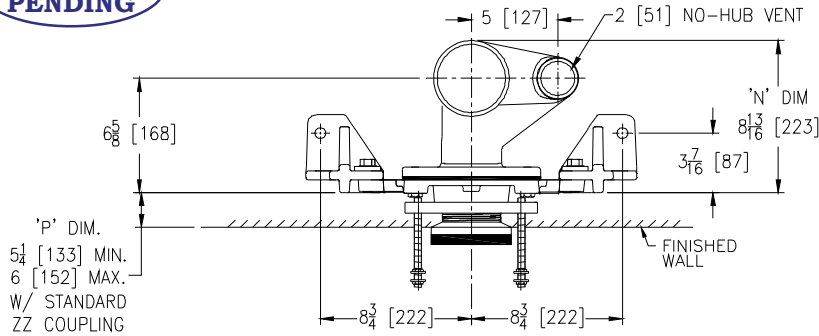
NARROW WALL WITH 8-13/16 [224] FRONT TO BACK
 EZCARRY® ADJUSTABLE VERTICAL HIGH PERFORMANCE SIPHON JET
 NO-HUB WATER CLOSET CARRIER SYSTEM FOR LOW ROUGH-IN, W/
 FLOOR MOUNTED, BACK OUTLET FIXTURE SUPPORT

SPECIFICATION SHEET

TAG _____

**PATENT
 PENDING**

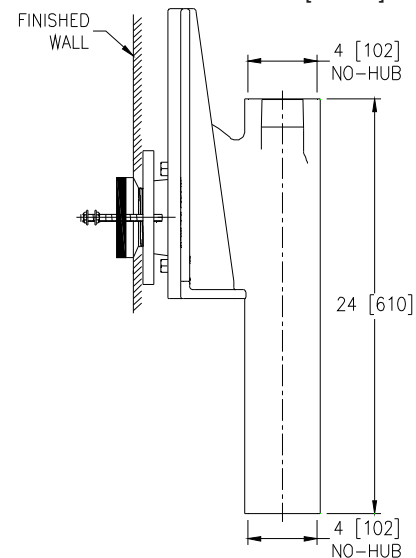
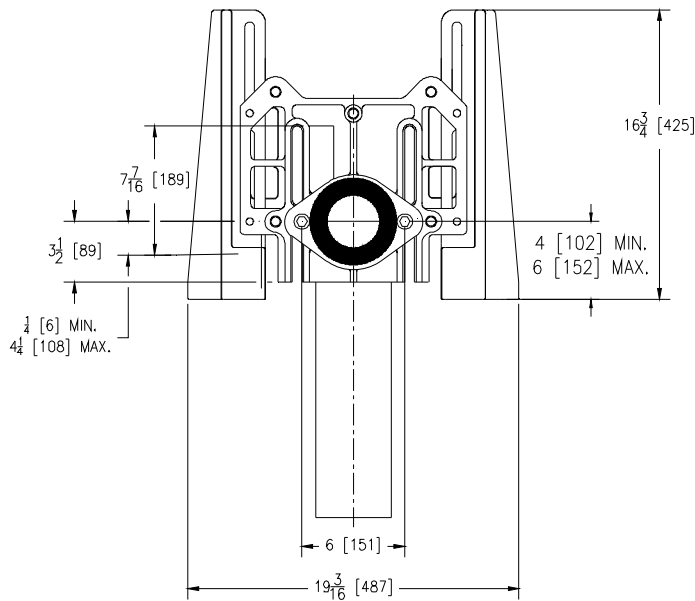
Dimensional Data (inches and [mm]) are Subject to Manufacturing Tolerances and Change Without Notice



Product Number	Approx. Wt. lbs [kg]
ZN1202-N4-76	75 [34]

Note:

1. Cut ZZ Coupling, Min. 'P' Dim. Obtainable = 1-7/8" [48mm]
2. Feet bolted to floor using min. 1/2" [13mm] dia. anchors.



ENGINEERING SPECIFICATION: ZURN ZN1202-N4-76

EZCarry® Narrow Wall vertical siphon jet water closet carrier system, with high performance Dura-Coated cast iron main fitting with hydro-mechanically optimized sweep, 4" [102 mm] no-hub connections, and extended 2" [51 mm] vent. Corrosion resistant, adjustable 3" [76 mm] dia. X 6" [152 mm] coupling with integral test cap, designed to increase flow velocity and line carry, labor saving "Neo-Seal" bonded gasket optimizes flow performance while reducing installation steps and floor mounted back outlet fixture support. Complete system includes an adjustable, gasketed modified faceplate; floor mounted foot supports; fixture bolts, trim, and stud protectors.

OPTIONS (Check/specify appropriate options)

___ ZN1202-N4-76 4 [102] No-Hub Stack, Single Inlet, 2 [51] Right Hand Vent

PREFIXES

___ Z D.C.C.I. System with Zurn ZZ Adjustable Coupling*

SUFFIXES

___ -CC	Corrosion Resistant Cast Iron Coupling (2-1/4 to 12 [57 to 305])	___ -JL	2 [51] Left-Hand Auxiliary Inlet
___ -CS	2-1/4 [57] Polymer Coupling with Integral Test Cap	___ -JR	2 [51] Right-Hand Auxiliary Inlet
___ -G	Galvanized Cast Iron	___ -VP	Vandal-Proof Trim
___ -JJ	Two 2 [51] Auxiliary Inlets	___ -50	Flush Valve Supply Support for Water Closets

* Regularly furnished unless otherwise specified.

Zurn Industries, LLC | Specification Drainage Operation
 1801 Pittsburgh Avenue, Erie, PA U.S.A. 16502 · Ph. 855-663-9876, Fax 814-454-7929
 In Canada | Zurn Industries Limited
 3544 Nashua Drive, Mississauga, Ontario L4V 1L2 · Ph. 905-405-8272, Fax 905-405-1292
www.zurn.com

Rev. -
 Date: 11/21/2017
 C.N. No. 139227
 Prod. | Dwg. No. ZN1202-N4-76