



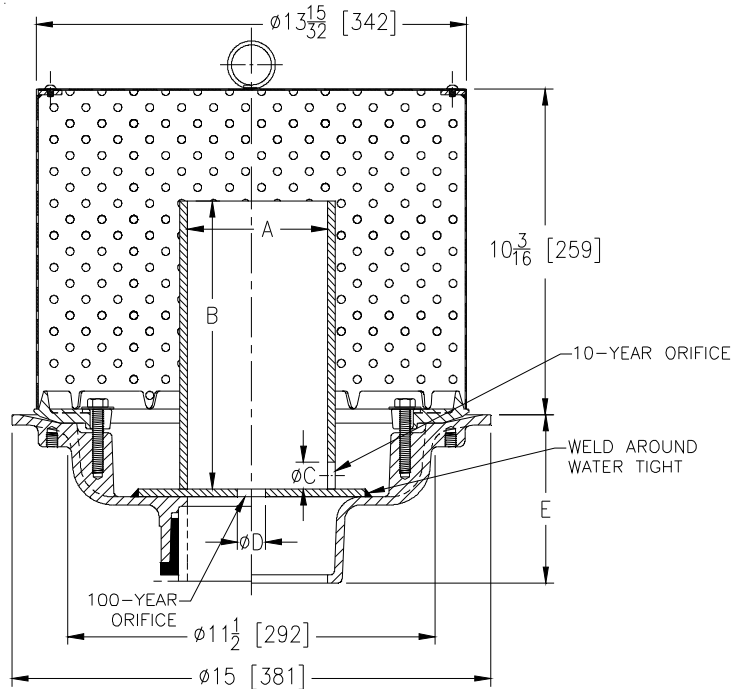
# Z100-327

Ø15 [381] MAIN ROOF DRAIN 5 3/4 [146] TALL  
W/ CONTROL FLOW ORIFICE & HIGH S.S. PERFORATED  
COVER

SPECIFICATION SHEET

TAG \_\_\_\_\_

Dimensional Data (inches and [ mm ]) are Subject to Manufacturing Tolerances and Change Without Notice



| Dimensions in In. [mm] |                |                |
|------------------------|----------------|----------------|
| B                      | ØC             | ØD             |
| 5-3/4 [146]            | 1-11/32 [34.1] | 1-11/32 [34.1] |

| A Pipe Size<br>In [mm] | Approx Wt<br>lbs [kg] | Cover Open Area<br>in <sup>2</sup> [mm <sup>2</sup> ] |
|------------------------|-----------------------|---|
| 3,4 [76,102]           | 26-1/2 [12]           | 118 [761]   |
| 5,6 [127,152]          | 27-1/2 [12]           |   |
| 8 [203]                | 28-1/2 [13]           |   |

### ENGINEERING SPECIFICATION: ZURN Z100-327

15" [381mm] Diameter roof drain. Dura-Coated cast iron body with combination membrane flashing clamp/gravel guard and water dam featuring 10-year and 100-year control flow orifices with high stainless steel perforated cover.

### OPTIONS (Check/specify appropriate options)

#### PIPE SIZE

3,4,5,6,8 [76,102,127,152,203]  
3,4,5,6,8 [76,102,127,152,203]  
3,4,5,6,8 [76,102,127,152,203]  
3,4 [76,102]  
6 [152]

#### (Specify size/type) OUTLET

\_\_\_\_\_ IC Inside Caulk  
\_\_\_\_\_ IP Threaded  
\_\_\_\_\_ NH No-Hub  
\_\_\_\_\_ NL Neo-Loc  
\_\_\_\_\_ NL Neo-Loc

#### E BODY HT. DIM.

5-1/4 [133]  
3-3/4 [95]  
5-1/4 [133]  
4-9/16 [116]  
5-7/16 [112]

#### PREFIXES

\_\_\_\_\_ Z D.C.C.I. Body with Stainless Steel Perforated Cover\*

#### SUFFIXES

\_\_\_\_\_ -AC Angular Underdeck Clamp  
\_\_\_\_\_ -AR Acid Resistant Epoxy Coated  
\_\_\_\_\_ -C Underdeck Clamp  
\_\_\_\_\_ -DE Deck Extension  
\_\_\_\_\_ -DP Top-Set® Deck Plate (Replaces both the -C and -R)  
\_\_\_\_\_ -DR Top-Set® Drain Riser  
\_\_\_\_\_ -DX Dex-o-tex Flange  
\_\_\_\_\_ -EB Top-Set® Adjustable Extension Assembly  
\_\_\_\_\_ -G Galvanized Cast Iron  
\_\_\_\_\_ -R Roof Sump Receiver  
\_\_\_\_\_ -SC Secondary Clamp Collar

\_\_\_\_\_ -VP Vandal-Proof Secured Top  
\_\_\_\_\_ -85 Stainless Steel Perforated Extension  
\_\_\_\_\_ -89 2 [51] High External Water Dam

\* Regularly furnished unless otherwise specified.