

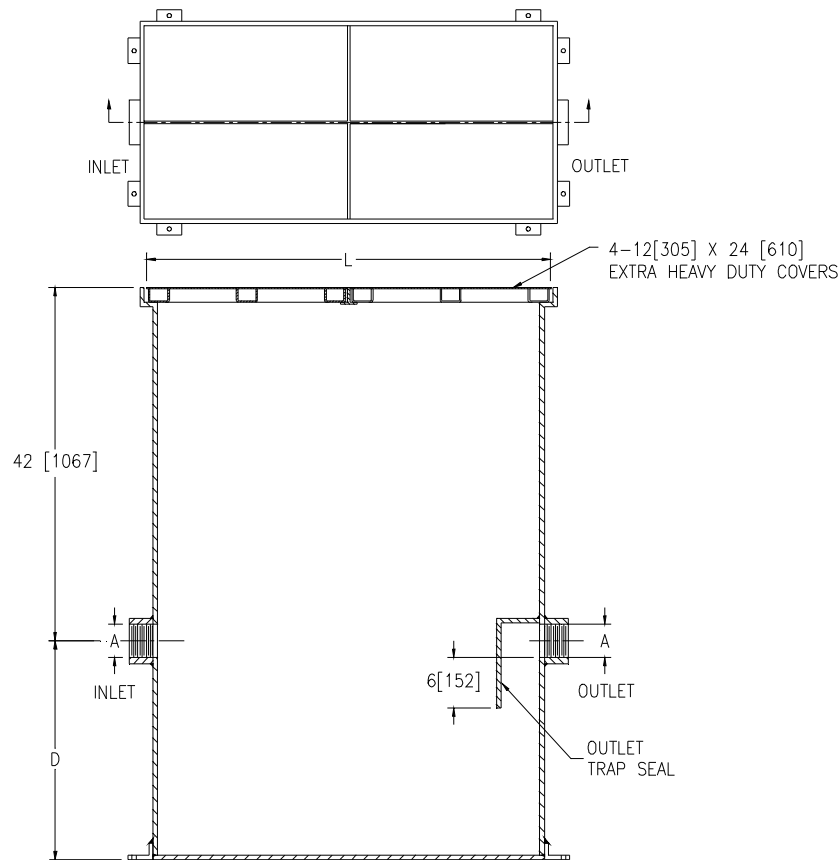


Z-1187-81 SAND TRAP

SPECIFICATION SHEET

TAG _____

Dimensional Data (inches and [mm]) are Subject to Manufacturing Tolerances and Change Without Notice



Size	Flow G.P.M. [L] (Max.)	A Pipe Size	L	D	Capacity Gal. [L] (Static)	No. of 12 x 24 [305 x 610] Covers	Width
-50	50 [227]	4 [102]	48 [1219]	26 [660]	120 [454]	4	24 [610]

ENGINEERING SPECIFICATION: ZURN Z-1187-81 Acid Resistant Coated fabricated steel sand trap with built in extension, threaded inlet and outlet and bottom anchor brackets, complete with removable extra heavy duty covers.

OPTIONS (Check/specify appropriate options)

PREFIXES

_____ Z- Acid Resistant Coated Fabricated Steel*

SUFFIXES

_____ -NH No-Hub Inlet and Outlet (Specify Size)
 _____ -VP Vandal Proof Screws

REV.	DATE: 10/11/00	C.N. NO. 85914
DWG. NO. P-14802 PRODUCT NO. Z-1187-81		

*REGULARLY FURNISHED UNLESS OTHERWISE SPECIFIED