



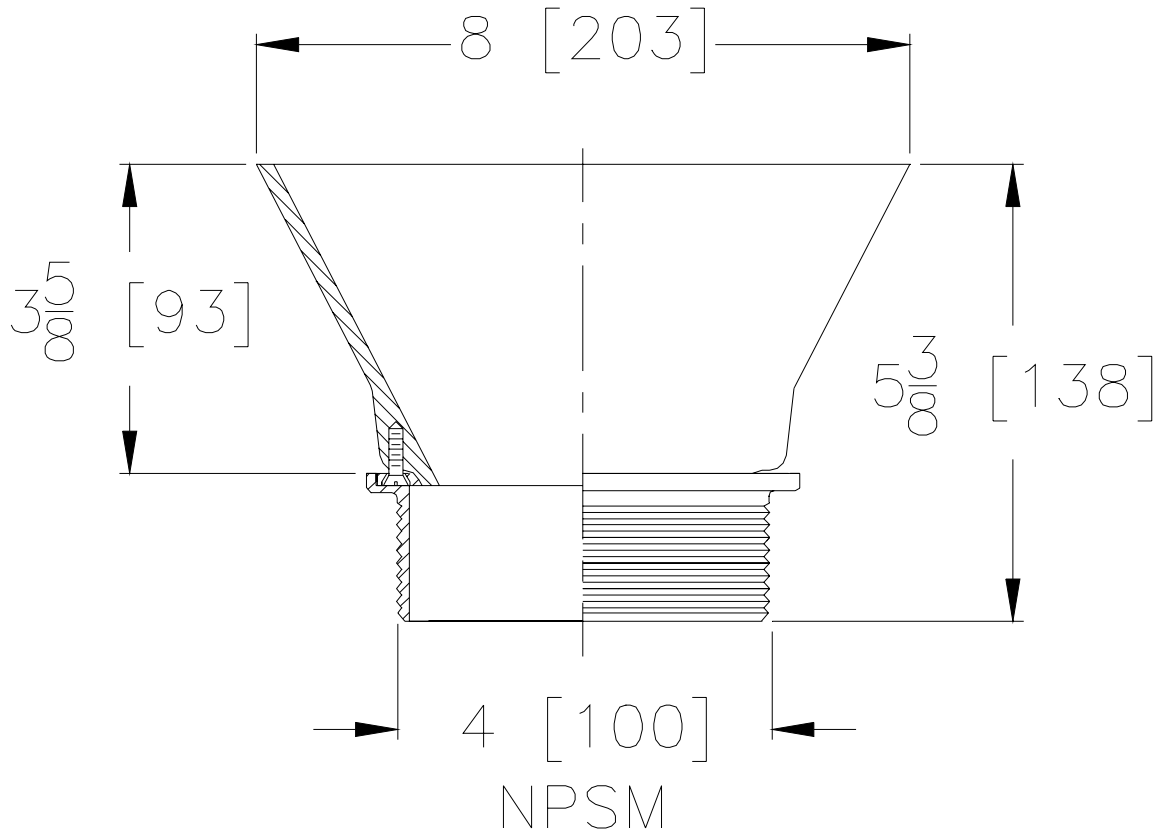
ZN-400-BF
"TYPE BF" ROUND NICKEL BRONZE STRAINER
WITH OVAL FUNNEL -- Open Throat

SPECIFICATION SHEET

TAG _____



Dimensional Data (inches and [mm]) are Subject to Manufacturing Tolerances and Change Without Notice



Strainer Designation	Approx. Wt. Lbs. / [kg]
-BF	4 [2]

ENGINEERING SPECIFICATION: ZURN ZN-400 "Type BF" round adjustable polished nickel bronze strainer with nickel bronze open throat oval funnel.

OPTIONS (Check/specify appropriate options)

SUFFIXES

- ___ -VP Vandal-Proof Secured Top
- ___ -Y Sediment Bucket

REV. A	DATE: 04/23/07	C.N. NO. 89850
DWG. NO. 63885	PRODUCT NO. ZN-400-BF	

*REGULARLY FURNISHED UNLESS OTHERWISE SPECIFIED