



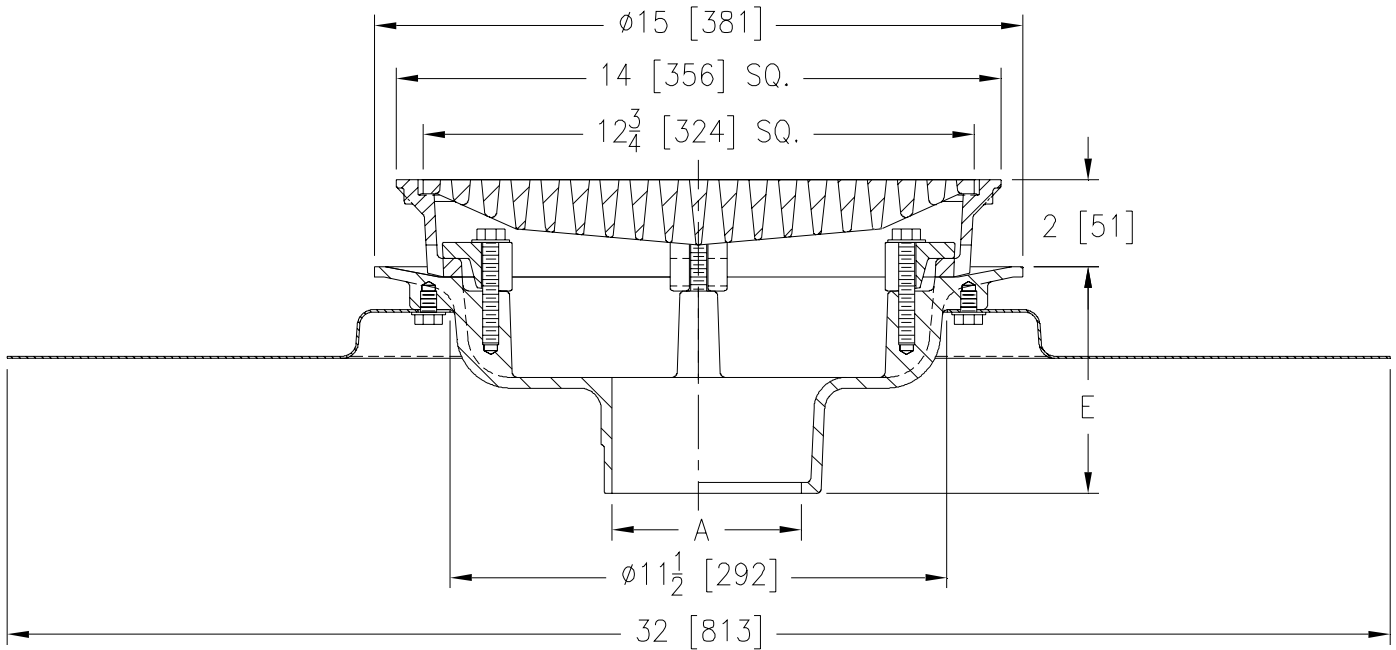
Z150-127

14 [356] SQUARE TOP PROM-DECK DRAIN W/ HEEL-PROOF GRATE, ROTATABLE FRAME AND SUPPORT PLATE

SPECIFICATION SHEET

TAG _____

Dimensional Data (inches and [mm]) are Subject to Manufacturing Tolerances and Changes Without Notice



A- Pipe Size In.	Approx. Wt. Lbs. [kg]	Grate Open Area Sq. In. [cm ²]
2-3-4 [51-76-102]	53 [24]	44 [284]
5-6 [127-152]		
8 [203]	54 [24]	

ENGINEERING SPECIFICATION: ZURN Z150-127

14 [356] Square Top Prom-Deck drain, Dura-Coated cast iron body with rotatable square promenade frame, frame clamps, support plate, and heavy-duty heel-proof grate.

OPTIONS (Check/specify appropriate options)

PIPE SIZE

2 thru 6-8 [51 thru 152-203]
2 thru 6-8 [51 thru 152-203]
2 thru 6-8 [51 thru 152-203]
2-3-4 [51-76-102]

(Specify size/type) OUTLET

___ IC Inside Caulk
___ IP Threaded
___ NH No-Hub
___ NL Neo-Loc

E BODY HT. DIM.

5 1/4 [133]
3 3/4 [95]
5 1/4 [133]
4 5/8 [117]

PREFIXES

___ Z D.C.C.I. Body with Top*
___ ZB D.C.C.I. Body with Polished Bronze Top (Add 3/16 [5] to 2 [51] Dim & 3/8 [10] to 14 [356] Dim.)
___ ZN D.C.C.I. Body with Polished Nickel Bronze Top (Add 3/16 [5] to 2 [51] Dim. & 3/8 [10] to 14 [356] Dim.)

SUFFIXES

___ -AR Acid Resistant Epoxy Coated
___ -DG Duresist Grate
___ -DT Decorative Polished Top (ZB and ZN Only)
___ -G Galvanized Cast Iron
___ -HF High Flow Ductile Iron Grate
___ -TC Neo-Loc Test Cap Gasket (2 [51] - 4 [102] NL Bottom Outlet Only)
___ -TS Top Secured with Slotted Screws
___ -VP Vandal-Proof Secured Top

REV. DATE: 8/21/07 C.N. NO. 97195

DWG. NO. P-15464 PRODUCT NO. Z150-127

*REGULARLY FURNISHED UNLESS OTHERWISE SPECIFIED

ZURN INDUSTRIES, LLC. ♦ SPECIFICATION DRAINAGE OPERATION ♦ 1801 Pittsburgh Ave. ♦ Erie, PA 16514

Phone: 814455-0921 ♦ Fax: 814454-7929 ♦ World Wide Web: www.zurn.com

In Canada: ZURN INDUSTRIES LIMITED ♦ 3544 Nashua Drive ♦ Mississauga, Ontario L4V1L2 ♦ Phone: 905405-8272 Fax: 905405-1292