



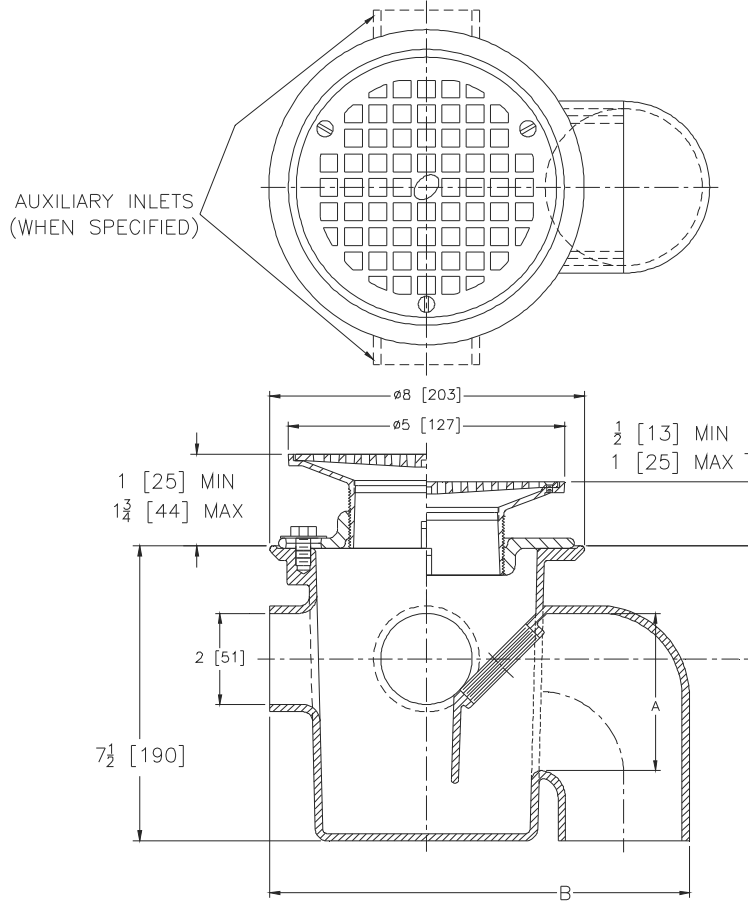
Z356-82

MULTI-INLET ADJUSTABLE FLOOR DRAIN WITH TRAP W/ BOTTOM OUTLET

SPECIFICATION SHEET

TAG _____

Dimensional Data (inches and [mm]) are Subject to Manufacturing Tolerances and Change Without Notice



Dimensions in Inches [mm]			Approx. Wt. Lbs. [kg]
A Pipe Size	B	M	
4 [102]	11-17/20 [300]	3-23/32 [94]	18 [8]

ENGINEERING SPECIFICATION: ZURN ZN356-82

Multi-Inlet adjustable floor drain with trap, Dura-Coated cast iron body with integral trap seal, complete with plastic cleanout plug, invertable collar and 5" [127mm] round, polished nickel bronze adjustable top, and bottom outlet.

OPTIONS (Check/specify appropriate options)

PIPE SIZE

3,4 [76,102]

(Specify size/type) **OUTLET**

_____ NH No-Hub

PREFIXES

- _____ ZB D.C.C.I. Body w/Polished Bronze Top
- _____ ZN D.C.C.I. Body w/Polished Nickel Bronze Top*

SUFFIXES

- _____ -AR Acid Resisting Epoxy Coated Cast Iron
- _____ -BP Bronze Plug
- _____ -G Galvanized Cast Iron
- _____ -J Auxiliary Inlet Connection (Opposite Outlet)
- _____ -J2 Two (2) Auxiliary Inlet Connections
(1 Opposite Outlet, 1 Left Side Facing Outlet)
- _____ -PC Protective Cover
- _____ -LT Less Trapseal (plug)
- _____ -VP Vandal-Proof Secured Top

* Regularly furnished unless otherwise specified.