



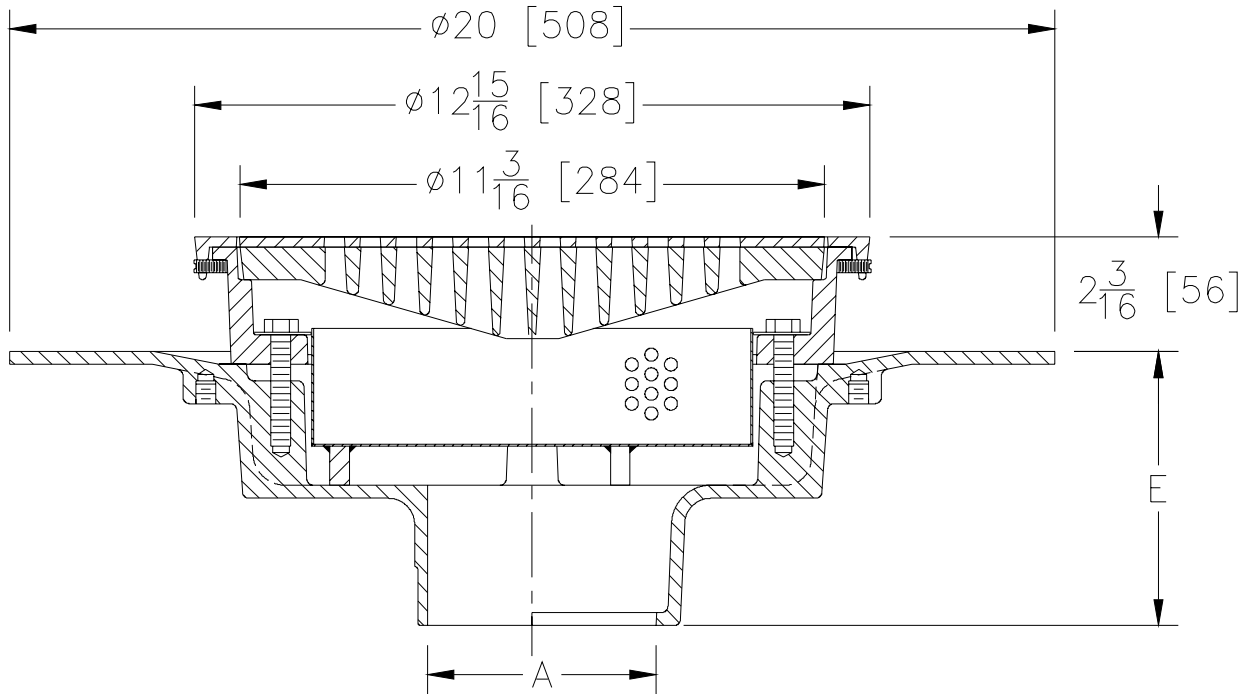
Z107-93

20 [508] DIAMETER HEAVY-DUTY DRAIN W/ POLISHED BRONZE TOP

SPECIFICATION SHEET

TAG _____

Dimensional Data (inches and [mm]) are Subject to Manufacturing Tolerances and Change Without Notice



A Pipe Size	Approx. Wt. Lbs. [kg]	Grate Open Area Sq. In. [cm ²]
3-4-6-8 [76-102-152-203]	52 [24]	30 [194]

ENGINEERING SPECIFICATION: ZURN Z107-93

20 [508] Diameter Heavy-Duty Drain. Galvanized cast iron body with bottom outlet, seepage pan and combination galvanized membrane flashing clamp and frame with seepage holes for anti-tilt heavy-duty slotted grate with polished bronze top and sediment bucket.

OPTIONS (Check/specify appropriate options)

PIPE SIZE

3,4,6 [76,102,152]
3,4,6,8 [76,102,152,203]

(Specify size/type) **OUTLET**

_____ IC Inside Caulk
_____ NH No-Hub

'E' BODY HT. DIM.

5 1/4 [133]
5 1/4 [133]

PREFIXES

_____ ZB Galvanized Body and Frame w/ Polished Bronze Top*
_____ ZN Galvanized Body and Frame w/ Polished Nickel Bronze Top

SUFFIXES

_____ -AC Angular Underdeck Clamp
_____ -AR Acid Resistant Epoxy Coated
_____ -C Underdeck Clamp
_____ -DG Duresist Grate
_____ -P Trap Primer Connection
_____ -S Secondary Strainer
_____ -TC Neo-Loc Test Cap Gasket (2 [51] - 4 [102] NL Bottom Outlet Only)
_____ -TG Tractor Grate
_____ -TS Top Secured with Slotted Screws
_____ -V Backwater Valve (See Z1099)
_____ -VP Vandal-Proof Secured Top

REV.	DATE: 6/20/05	C.N. NO. 93562
DWG. NO. P-15169 PRODUCT NO. Z107-93		

*REGULARLY FURNISHED UNLESS OTHERWISE SPECIFIED