



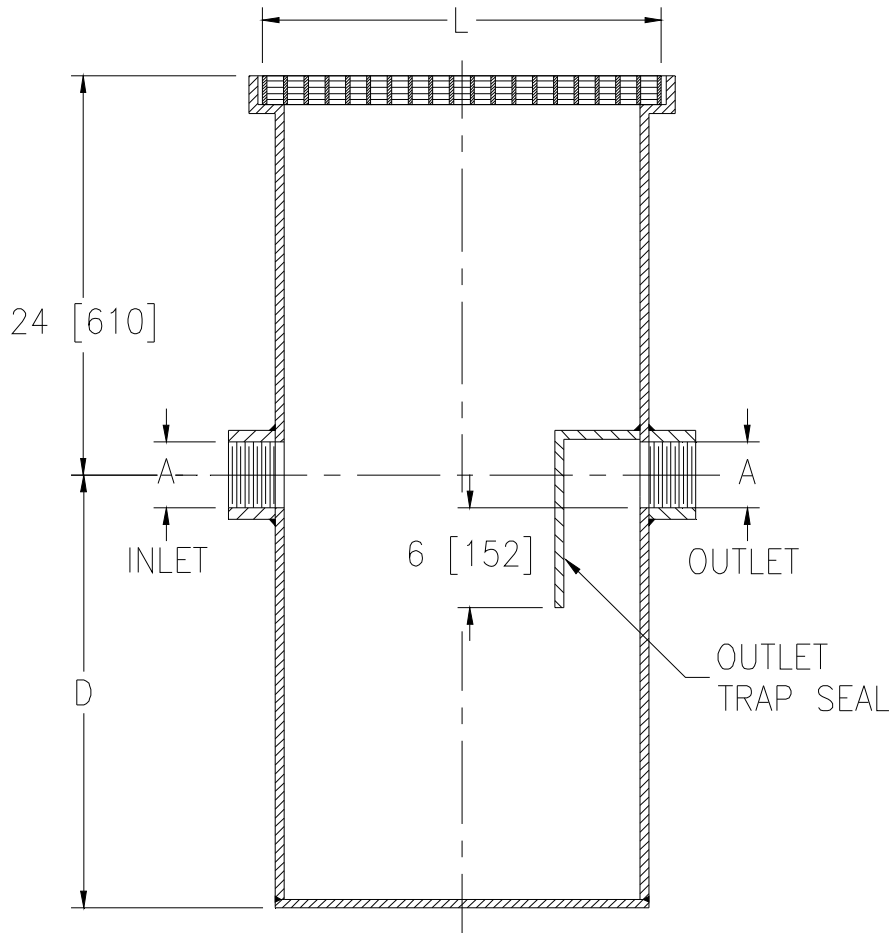
Z1187-SI-113

STAINLESS STEEL SAND INTERCEPTOR WITH EXTENSION

SPECIFICATION SHEET

TAG _____

Dimensional Data (inches and [mm]) are Subject to Manufacturing Tolerances and Change Without Notice



Size	Flow G.P.M. [L] (Max.)	A Pipe Size	L	D	Capacity Gal. [L] (Static)	Width	Approx. Wt. Lbs. [Kg]
20	20 [76]	4 [102]	24 [610]	26 [660]	60 [227]	24 [610]	255 [116]

ENGINEERING SPECIFICATION: ZURN Z1187-SI-113

Fabricated stainless steel sand interceptor with threaded inlet and outlet, complete with removable light-duty stainless steel bar grate.

OPTIONS (Check/specify appropriate options)

PREFIXES

___ Z Fabricated Stainless Steel*

SUFFIXES

- ___ -K Anchor Flange 1-3/4 [44] down from top and 2 [51] wide. No extension required to accommodate -K option.
- ___ -KC Anchor Flange 1-3/4 [44] down from top and 2 [51] wide with clamp collar. No extension required to accommodate -KC option.

REV. A	DATE: 09/26/12	C.N. NO. 124768
DWG. NO. 310260	PRODUCT NO. Z1187-SI-113	

*REGULARLY FURNISHED UNLESS OTHERWISE SPECIFIED