



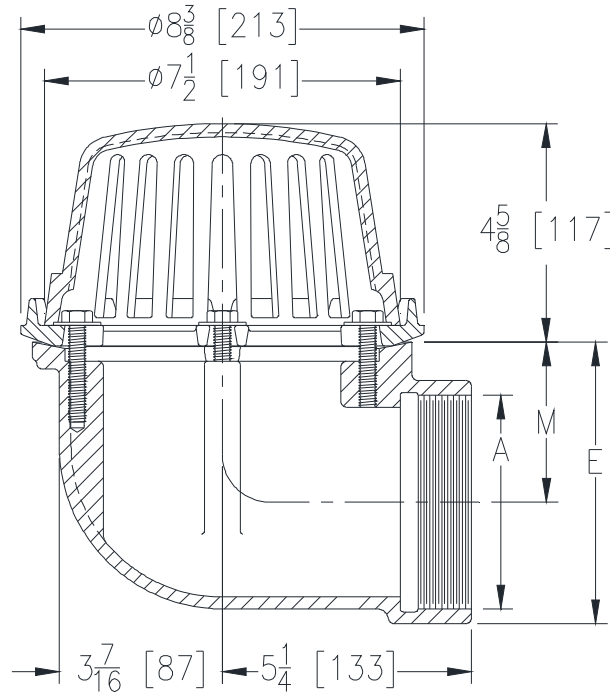
# Z125-90

8-3/8 [213] DIAMETER LATERAL ROOF DRAIN W/  
LOW SILHOUETTE DOME

SPECIFICATION SHEET

TAG \_\_\_\_\_

Dimensional Data (inches and [ mm ]) are Subject to Manufacturing Tolerances and Change Without Notice



Dimensions In Inch [mm]		Approx. Wt. Lbs. [kg]	Dome Open Area Sq. In [cm <sup>2</sup> ]
A Pipe Size	M		
2 [51]	4-7/16 [114]	35 [16]	43 [277]
3 [76]	3-7/8 [102]		
4 [102]	3-3/8 [86]		

**ENGINEERING SPECIFICATION:** ZURN Z125-90  
8-3/8" [213mm] Diameter lateral roof drain, Dura-Coated cast iron body with combination membrane flashing clamp/gravel guard, with low silhouette Poly-Dome.

**OPTIONS** (Check/specify appropriate options)

**PIPE SIZE**

2,3,4 [51,76,102]

(Specify size) **OUTLET**

\_\_\_\_ IP Threaded

**'E' BODY HT. DIM.**

5-15/16 [151]

**PREFIXES**

- \_\_\_ Z D.C.C.I. Body with Poly-Dome (4-1/4 [108] Dome Height)\*
- \_\_\_ ZA D.C.C.I. Body with Aluminum Dome (4-1/4 [108] Dome Height)
- \_\_\_ ZC D.C.C.I. Body with Low Silhouette Cast Iron Dome (4-1/4 [108] Dome Height)

**SUFFIXES**

- \_\_\_ -AR Acid Resistant Epoxy Coated Finish
- \_\_\_ -C Underdeck Clamp
- \_\_\_ -E 2 [51] High Static Extension (Specify Height)
- \_\_\_ -FG Flush Grate
- \_\_\_ -G Galvanized Cast Iron
- \_\_\_ -R Roof Sump Receiver
- \_\_\_ -SC Secondary Clamping Collar
- \_\_\_ -SS Stainless Mesh Screen Over Dome
- \_\_\_ -VP Vandal-Proof Secured Top
- \_\_\_ -84 Stainless Steel Perforated Gravel Guard
- \_\_\_ -85 Stainless Steel Perforated Extension
- \_\_\_ -89 2 [51] High External Water Dam

\* Regularly furnished unless otherwise specified.